



REALTEK

RTL8316B

RTL8316B-LF

**16-PORT 10/100M ETHERNET SWITCH
CONTROLLER WITH EMBEDDED MEMORY**

DATASHEET

Rev. 1.2

10 April 2006

Track ID: JATR-1076-21



Realtek Semiconductor Corp.

No. 2, Innovation Road II, Hsinchu Science Park, Hsinchu 300, Taiwan

Tel.: +886-3-578-0211. Fax: +886-3-577-6047

www.realtek.com.tw

COPYRIGHT

©2006 Realtek Semiconductor Corp. All rights reserved. No part of this document may be reproduced, transmitted, transcribed, stored in a retrieval system, or translated into any language in any form or by any means without the written permission of Realtek Semiconductor Corp.

DISCLAIMER

Realtek provides this document “as is”, without warranty of any kind, neither expressed nor implied, including, but not limited to, the particular purpose. Realtek may make improvements and/or changes in this document or in the product described in this document at any time. This document could include technical inaccuracies or typographical errors.

TRADEMARKS

Realtek is a trademark of Realtek Semiconductor Corporation. Other names mentioned in this document are trademarks/registered trademarks of their respective owners.

USING THIS DOCUMENT

This document is intended for the software engineer’s reference and provides detailed programming information.

Though every effort has been made to ensure that this document is current and accurate, more information may have become available subsequent to the production of this guide. In that event, please contact your Realtek representative for additional information that may help in the development process.

REVISION HISTORY

Revision	Release Date	Summary
1.0	2005/03/21	First release.
1.1	2006/02/20	Add section 14 Thermal Data, page 82. Add section 8.28.3 Serial LED Bi-Color LED Mode, page 37. Remove the RRCP function.
1.2	2006/04/10	Correct EEPROM description (see Table 25, page 42). Add Absolute Maximum Ratings, page 79. Add pin description of internal pull-up or pull-down (see Table 1, page 6).

Table of Contents

1. General Description	1
2. Features	2
3. System Applications	3
4. Block Diagram	3
5. Functional Block Diagram.....	4
6. Pin Assignments.....	5
6.1. PIN ASSIGNMENTS FIGURE	5
6.2. LEAD (PB)-FREE PACKAGE IDENTIFICATION	5
6.3. PIN ASSIGNMENTS TABLE (128-PIN PQFP).....	6
7. Pin Descriptions.....	8
7.1. SMII INTERFACE	8
7.2. SERIAL MANAGEMENT INTERFACE (SMI)	9
7.3. SERIAL EEPROM INTERFACE	9
7.4. SYSTEM PINS	10
7.5. MODE CONTROL PINS	10
7.6. LED PINS	12
7.6.1. Scan LED Pins.....	12
7.6.2. Serial LED Pins.....	13
7.7. POWER/GROUND PINS	14
7.8. TEST PINS.....	15
8. Functional Description.....	16
8.1. RESET.....	16
8.1.1. Hardware Reset	16
8.1.2. Software Reset	16
8.2. MAC TO PHY INTERFACE.....	16
8.3. FAST ETHERNET PORT (SMII INTERFACE)	17
8.4. MAC ADDRESS TABLE SEARCH AND LEARNING.....	17

8.5.	MAC TABLE AGING FUNCTION	17
8.6.	ILLEGAL FRAME FILTERING.....	17
8.7.	IEEE 802.1D RESERVED GROUP ADDRESSES FILTERING CONTROL	17
8.8.	BACKOFF ALGORITHM	17
8.9.	INTER-PACKET GAP.....	18
8.10.	BUFFER MANAGEMENT	18
8.11.	FLOW CONTROL	18
8.11.1.	IEEE 802.3x Pause Flow Control.....	18
8.11.2.	Half Duplex Back Pressure Flow Control	18
8.12.	BROADCAST STORM FILTERING CONTROL	19
8.13.	HEAD-OF-LINE BLOCKING PREVENTION.....	19
8.14.	PORT TRUNKING AND FAULT RECOVERY SUPPORT	19
8.14.1.	Load Balancing	20
8.14.2.	Trunk Fault Auto Recovery.....	20
8.15.	IGMP SNOOPING SUPPORT.....	20
8.16.	VLAN FUNCTION.....	21
8.16.1.	Port-Based VLAN.....	21
8.16.2.	IEEE 802.1Q Tag-Based VLAN.....	22
8.16.3.	Ingress/Egress Filtering Control Parameters.....	22
8.16.4.	Leaky VLAN.....	23
8.16.5.	Insert/Remove VLAN Priority Tag.....	23
8.17.	QoS FUNCTION	24
8.17.1.	Port-Based Priority	24
8.17.2.	IEEE 802.1p/Q-Based Priority.....	24
8.17.3.	Differentiated Services Based Priority	25
8.17.4.	Flow Control Auto Turn Off.....	25
8.18.	INGRESS AND EGRESS BANDWIDTH CONTROL.....	26
8.19.	SIMPLE MIB COUNTER SUPPORT	26
8.20.	NETWORK LOOP CONNECTION FAULT DETECTION	27
8.21.	REALTEK ECHO PROTOCOL	28
8.22.	DISABLE PORT.....	28
8.23.	PORT PROPERTIES CONFIGURATION	29
8.24.	SERIAL CPU INTERFACE	30
8.24.1.	Serial-CPU Access Format	30

8.25. PHY SERIAL MANAGEMENT INTERFACE.....	33
8.25.1. SMI (MDC, MDIO) Interface.....	33
8.25.2. PHY Register Indirect Access.....	34
8.26. LED INTERFACES.....	34
8.27. PARALLEL LED INTERFACE.....	34
8.28. SERIAL LED INTERFACE.....	35
8.28.1. Serial LED Display Panel Example (4 LEDs, Register 0x0005).....	36
8.28.2. Serial LED Shift Out Sequence Order.....	37
8.28.3. Serial LED Bi-Color LED Mode.....	37
8.29. SCAN LED INTERFACE.....	38
8.30. PORT MIRRORING.....	41
9. Serial EEPROM Configuration (24LC04).....	42
9.1. EEPROM CONFIGURATION VS. INTERNAL REGISTER MAPPING.....	42
10. Internal Register Descriptions.....	44
10.1. SYSTEM CONFIGURATION REGISTER.....	44
10.2. SYSTEM STATUS REGISTER.....	44
10.3. MANAGEMENT CONFIGURATION REGISTER.....	44
10.4. ADDRESS LOOKUP TABLE (ALT) CONTROL REGISTER.....	45
10.5. QUEUE CONTROL REGISTER.....	48
10.6. PHY ACCESS CONTROL REGISTER.....	49
10.7. PORT CONTROL REGISTER.....	49
10.8. MIB COUNTER REGISTER.....	50
10.8.1. Port MIB Counter 1 Register (RX Counter) (32-bits).....	51
10.8.2. Port MIB Counter 2 Register (TX Counter) (32-bits).....	52
10.8.3. Port MIB Counter 3 Register (Diagnostic Counter) (32-bits).....	53
10.9. SYSTEM PARAMETER REGISTER (RESERVED).....	53
11. Internal Register Settings.....	54
11.1. SYSTEM CONFIGURATION REGISTER.....	54
11.1.1. 0x0000H: System Reset Control Register.....	54
11.1.2. 0x0001H: Switch Parameter Register.....	55
11.1.3. 0x0002H: EEPROM Check ID.....	55
11.1.4. 0x0004H: General Purpose User Defined I/O Data Register.....	56
11.1.5. 0x0005H: LED Display Configuration.....	56

11.2. SYSTEM STATUS REGISTER	57
11.2.1. 0x0100H: Board Trapping Status Register	57
11.2.2. 0x0101H: Loop Detect Status Register (32-Bit Register)	57
11.2.3. 0x0102H: System Fault Indication Register	58
11.3. MANAGEMENT CONFIGURATION REGISTER	59
11.3.1. 0x0200H: Realtek Protocol Control Register	59
11.3.2. 0x0203H: Switch MAC ID Register 0	59
11.3.3. 0x0204H: Switch MAC ID Register 1	59
11.3.4. 0x0205H: Switch MAC ID Register 2	59
11.3.5. 0x0206H: Chip Model ID	60
11.4. 0x0207H: SYSTEM VENDER ID REGISTER 0	60
11.5. 0x0208H: SYSTEM VENDER ID REGISTER 1	60
11.6. 0x020AH: PORT 0, 1 BANDWIDTH CONTROL REGISTER	60
11.6.1. 0x020BH~0x0211H: Port 2~15 Bandwidth Control Register	62
11.7. 0x0217H~0x0218H: EEPROM RW CONTROL REGISTER	62
11.7.1. 0x0217H: EEPROM RW Command Register	62
11.7.2. 0x0218H: EEPROM RW Data Register	62
11.8. 0x0219H~0x021EH: PORT MIRROR CONTROL REGISTER	63
11.8.1. 0x0219H: Port Mirror Control Register 0 for P15-P0	63
11.8.2. 0x021BH: RX Mirror Port Register 0 for P15-P0	63
11.8.3. 0x021DH: TX Mirror Port Register 0 for P15-P0	63
11.9. ADDRESS LOOKUP TABLE (ALT) CONTROL REGISTER	64
11.9.1. 0x0300H: ALT Configuration Register	64
11.9.2. 0x0301H: Address Learning Control Register 0	64
11.9.3. 0x0307H: Port Trunking Configuration Register	65
11.9.4. 0x0308H: IGMP Snooping Control Register	65
11.9.5. 0x0309H: IP Multicast Router Port Discovery Register (32 bits)	65
11.9.6. 0x030BH: VLAN Control Register	66
11.9.7. 0x030C~0x0313H: Port VLAN ID Assignment Index Register 0~7	67
11.9.8. 0x0319~0x031AH: VLAN Output Port Priority-Tagging Control Register 0, 1	68
11.10. 0x031D~0x037CH: VLAN TABLE CONFIGURATION REGISTER	69
11.10.1. Register VLAN(m)_Entry_Configuration_0 (Addr: (0x031DH+3m))	69
11.10.2. Register VLAN(m)_Entry_Configuration_2 (Addr: (0x031DH+3m+2))	69
11.11. 0x037D: INSERT PER-PORT VID (PVID) ENABLING REGISTER	69
11.11.1. 0x037D: Insert Per-Port VID (PVID) Enabling Register 0 (P15~P0)	69

11.12. QoS CONFIGURATION REGISTER.....	70
11.12.1. 0x0400H: QoS Control Register.....	70
11.12.2. 0x0401: Port Priority Configuration Register 0.....	71
11.13. PHY ACCESS CONTROL REGISTER.....	71
11.13.1. 0x0500H: PHY Access Control Register.....	71
11.13.2. 0x0501H: PHY Access Write Data Register.....	71
11.13.3. 0x0502H: PHY Access Read Data Register.....	71
11.14. PORT CONTROL REGISTER.....	72
11.14.1. 0x0607H: Global Port Control Register.....	72
11.14.2. 0x0608H: Port Disable Control Register 0.....	73
11.14.3. 0x060AH~0x0615: Port Property Configuration Registers 0 ~ 7.....	73
11.14.4. 0x0619H~0x0624: Port Link Status Register 0 ~ 7.....	74
12. MIB Counter Register.....	76
12.1. 0x0700H~0x0707H: PORT MIB COUNTER OBJECT SELECTION REGISTER 0~7.....	76
12.2. 0x070DH~071CH: PORT MIB COUNTER 1 REGISTER (RX COUNTER) (32 BITS).....	77
12.2.1. For Port(n) MIB Counter 1 Register (32-bit). n=0, 1, 2, ... 15 (Addr: 0x070DH+n).....	78
12.2.2. 0x0727~0736H: Port MIB Counter 2 Register (TX Counter) (32-bits).....	78
12.2.3. 0x0741~0750H: Port MIB Counter 3 Register (Diagnostic Counter) (32-bits).....	78
13. Characteristics.....	79
13.1. ABSOLUTE MAXIMUM RATINGS.....	79
13.2. OPERATING RANGE.....	79
13.3. DC CHARACTERISTICS.....	79
13.4. AC CHARACTERISTICS.....	80
13.4.1. PHY Management (SMI) Timing.....	80
13.4.2. SMII Transmit Timing.....	81
13.4.3. SMII Receive Timing.....	81
14. Thermal Data.....	82
15. Mechanical Information.....	84
15.1. MECHANICAL DIMENSIONS NOTES.....	85
16. Ordering Information.....	85

List of Tables

TABLE 1. PIN ASSIGNMENT TABLE (PQFP-128).....	6
TABLE 2. SMII INTERFACE.....	8
TABLE 3. SERIAL MANAGEMENT INTERFACE (SMI).....	9
TABLE 4. SERIAL EEPROM INTERFACE.....	9
TABLE 5. SYSTEM PINS.....	10
TABLE 6. MODE CONTROL PINS.....	10
TABLE 7. SCAN LED PINS.....	12
TABLE 8. SERIAL LED PINS.....	13
TABLE 9. POWER/GROUND PINS.....	14
TABLE 10. TEST PINS.....	15
TABLE 11. VLAN TABLE FORMAT.....	21
TABLE 12. MIB OBJECT SELECTION.....	26
TABLE 13. LOOP DETECT PACKET FORMAT.....	27
TABLE 14. CONFIGURING PAUSE AND ASYMMETRIC PAUSE.....	29
TABLE 15. TX/RX PAUSE ABILITY IN FORCED MODE.....	29
TABLE 16. SERIAL CPU 16-BIT READ/WRITE FORMAT.....	32
TABLE 17. SERIAL CPU 32-BIT READ FORMAT.....	32
TABLE 18. SMI (MDC, MDIO) MANAGEMENT PACKET FORMAT.....	33
TABLE 19. SERIAL LED INTERFACE.....	35
TABLE 20. DIAGNOSTIC LED DISPLAY.....	35
TABLE 21. SCAN LED STATUS.....	38
TABLE 22. PORT MIRROR CONTROL REGISTER FOR P15-P0.....	41
TABLE 23. RX MIRROR PORT REGISTER FOR P15-P0.....	41
TABLE 24. TX MIRROR PORT REGISTER FOR P15-P0.....	41
TABLE 25. EEPROM CONFIGURATION VS. INTERNAL REGISTER MAPPING.....	42
TABLE 26. SYSTEM CONFIGURATION REGISTER.....	44
TABLE 27. SYSTEM STATUS REGISTER.....	44
TABLE 28. MANAGEMENT CONFIGURATION REGISTER.....	44
TABLE 29. ADDRESS LOOKUP TABLE (ALT) CONTROL REGISTER.....	45
TABLE 30. QUEUE CONTROL REGISTER.....	48
TABLE 31. PHY ACCESS CONTROL REGISTER.....	49
TABLE 32. PORT CONTROL REGISTER.....	49

TABLE 33. MIB COUNTER REGISTER	50
TABLE 34. PORT MIB COUNTER 1 REGISTER (RX COUNTER) (32-BITS)	51
TABLE 35. PORT MIB COUNTER 2 REGISTER (TX COUNTER) (32-BITS)	52
TABLE 36. PORT MIB COUNTER 3 REGISTER (DIAGNOSTIC COUNTER) (32-BITS).....	53
TABLE 37. SYSTEM PARAMETER REGISTER (RESERVED)	53
TABLE 38. 0x0000H: SYSTEM RESET CONTROL REGISTER.....	54
TABLE 39. 0x0001H: SWITCH PARAMETER REGISTER.....	55
TABLE 40. 0x0002H: EEPROM CHECK ID	55
TABLE 41. 0x0004H: GENERAL PURPOSE USER DEFINED I/O DATA REGISTER.....	56
TABLE 42. 0x0005H: LED DISPLAY CONFIGURATION	56
TABLE 43. 0x0100H: BOARD TRAPPING STATUS REGISTER	57
TABLE 44. 0x0101H: LOOP DETECT STATUS REGISTER (32-BIT REGISTER).....	57
TABLE 45. 0x0102H: SYSTEM FAULT INDICATION REGISTER.....	58
TABLE 46. 0x0200H: REALTEK PROTOCOL CONTROL REGISTER.....	59
TABLE 47. 0x0203H: SWITCH MAC ID REGISTER 0	59
TABLE 48. 0x0204H: SWITCH MAC ID REGISTER 1	59
TABLE 49. 0x0205H: SWITCH MAC ID REGISTER 2.....	59
TABLE 50. 0x0206H: CHIP MODEL ID	60
TABLE 51. 0x0207H: SYSTEM VENDER ID REGISTER 0	60
TABLE 52. 0x0208H: SYSTEM VENDER ID REGISTER 1	60
TABLE 53. 0x020AH: PORT 0, 1 BANDWIDTH CONTROL REGISTER.....	60
TABLE 54. 0x020BH~0x0215H: PORT 2~15 BANDWIDTH CONTROL REGISTER	62
TABLE 55. 0x0217H: EEPROM RW COMMAND REGISTER	62
TABLE 56. 0x0218H: EEPROM RW DATA REGISTER	62
TABLE 57. PORT MIRROR CONTROL REGISTER FOR P15-P0.....	63
TABLE 58. RX MIRROR PORT REGISTER 0 FOR P15-P0.....	63
TABLE 59. TX MIRROR PORT REGISTER 0 FOR P15-P0	63
TABLE 60. 0x0300H: ALT CONFIGURATION REGISTER.....	64
TABLE 61. 0x0301H: ADDRESS LEARNING CONTROL REGISTER 0	64
TABLE 62. 0x0307H: PORT TRUNKING CONFIGURATION REGISTER	65
TABLE 63. 0x0308H: IGMP SNOOPING CONTROL REGISTER	65
TABLE 64. 0x0309H: IP MULTICAST ROUTER PORT DISCOVERY REGISTER (32 BITS).....	65
TABLE 65. 0x030BH: VLAN CONTROL REGISTER.....	66
TABLE 66. 0x030C~0x0317H: PORT VLAN ID ASSIGNMENT INDEX REGISTER 0~7	67
TABLE 67. 0x0319~0x031AH: VLAN OUTPUT PORT PRIORITY-TAGGING CONTROL REGISTER 0, 1	68

TABLE 68. REGISTER VLAN(M)_ENTRY_CONFIGURATION_0 (ADDR: (0x031DH+3M))	69
TABLE 69. REGISTER VLAN(M)_ENTRY_CONFIGURATION_2 (ADDR: (0x031DH+3M+2))	69
TABLE 70. INSERT PER-PORT VID (PVID) ENABLING REGISTER 0	69
TABLE 71. 0x0400H: QoS CONTROL REGISTER	70
TABLE 72. 0x0401: PORT PRIORITY CONFIGURATION REGISTER 0	71
TABLE 73. 0x0500H: PHY ACCESS CONTROL REGISTER	71
TABLE 74. 0x0501H: PHY ACCESS WRITE DATA REGISTER	71
TABLE 75. 0x0502H: PHY ACCESS READ DATA REGISTER	71
TABLE 76. 0x0607H: GLOBAL PORT CONTROL REGISTER	72
TABLE 77. 0x0608H: PORT DISABLE CONTROL REGISTER 0	73
TABLE 78. 0x060AH~0x0615. PORT PROPERTY CONFIGURATION REGISTER 0~7	73
TABLE 79. 0x0619H~0x0625. PORT LINK STATUS REGISTER 0~7	74
TABLE 80. 0x0700H~0x0707H: PORT MIB COUNTER OBJECT SELECTION REGISTER 0~7	76
TABLE 81. MIB COUNTER TIMEOUT	77
TABLE 82. 0x070DH~071CH: PORT MIB COUNTER 1 REGISTER (RX COUNTER) (32 BITS)	78
TABLE 83. 0x0727~0736H: PORT MIB COUNTER 2 REGISTER (TX COUNTER) (32 BITS)	78
TABLE 84. 0x0741~0750H: PORT MIB COUNTER 3 REGISTER (DIAGNOSTIC COUNTER) (32 BITS)	78
TABLE 85. ABSOLUTE MAXIMUM RATINGS	79
TABLE 86. OPERATING RANGE	79
TABLE 87. DC CHARACTERISTICS	79
TABLE 88. PHY MANAGEMENT (SMI) TIMING	80
TABLE 89. PHY MANAGEMENT (SMI) TIMING	81
TABLE 90. SMII RECEIVE TIMING	81
TABLE 91. THERMAL OPERATING RANGE	83
TABLE 92. THERMAL RESISTANCE	83
TABLE 93. ORDERING INFORMATION	85

List of Figures

FIGURE 1. BLOCK DIAGRAM.....	3
FIGURE 2. FUNCTIONAL BLOCK DIAGRAM	4
FIGURE 3. PIN ASSIGNMENTS	5
FIGURE 4. 802.1Q VLAN TAG FRAME FORMAT.....	25
FIGURE 5. IPV4 FRAME FORMAT	25
FIGURE 6. REALTEK ECHO PROTOCOL FRAME	28
FIGURE 7. SERIAL CPU INTERFACE	30
FIGURE 8. START AND STOP DEFINITION	31
FIGURE 9. OUTPUT ACKNOWLEDGE (ACK).....	31
FIGURE 10. SERIAL LED DISPLAY	36
FIGURE 11. 3-BIT SERIAL STREAM MODE.....	37
FIGURE 12. SCAN LED TIMING DIAGRAM	39
FIGURE 13. EXTERNAL CIRCUIT FOR SCAN LED.....	40
FIGURE 14. MDC/MDIO WRITE TIMING	80
FIGURE 15. MDC/MDIO READ TIMING.....	80
FIGURE 16. MDC/MDIO RESET TIMING.....	80
FIGURE 17. SMII TRANSMIT TIMING.....	81
FIGURE 18. SMII RECEIVE TIMING	81
FIGURE 19. CROSS-SECTION OF 128-PIN PQFP	82

1. General Description

The RTL8316B is a layer-2 switch controller that integrates 1.25Mbits of high-speed SSRAM, an 8K-entry MAC address lookup table, 16 Ethernet/Fast Ethernet MACs, and a switch engine into one chip.

The Remote Management Tool (RMT) software package is bundled with the RTL8316B. The RMT is a Windows-based tool developed to enhance the functionality of Realtek's dumb layer 2 switches via software. The RMT gives network administrators the ability to remotely configure and monitor dumb layer 2 switches as though they were intelligent switches. With QoS, Trunking, VLAN, bandwidth control, remote control, and an 0.18 μ m process, the RTL8316B is a cost effective switch controller for a 16-port 10/100 dumb or smart switch application.

Port trunking is supported on all ports to increase bandwidth. Load balancing and fault tolerance provide top performance and reliability. The RTL8316B provides 2-level priority queues for multimedia or real-time network applications. The CoS (Class of Service) can be port-based, IEEE 802.1p tag-based, and/or TCP/IP header TOS/DS field-based. The RTL8316B supports up to 32 VLAN groups that may be configured as port-based VLANs and/or IEEE 802.1Q tagged VLANs. ARP broadcast and Leaky VLAN are also supported.

The RTL8316B supports diagnostics and analysis. Counters are included for: RX byte count, RX packet count, TX byte count, TX packet count, CRC error packet count, collision packet count, dropped packet count, and dropped byte count. The RTL8316B supports TX and RX bandwidth control on each port; 128Kbps, 256Kbps, 512kbps, 1Mbps, 2Mbps, 4Mbps, or 8Mbps may be selected in each direction.

The RTL8316B provides for a Scan LED Group to display each port's status, without extra component cost. A loop-detection function is provided to notify whether a network loop exists, either via a visual LED, or via a register flag for smart applications. LED displays for broadcast storm, trunking status, flow control, and traffic utilization are also provided.

Maximum packet length can be up to 1552 bytes. The RTL8316B supports the ability to drop 802.1D specified reserved group MAC addresses: (01-80-C2-00-00-04 to 01-80-C2-00-00-0F) according to pin strapping upon reset, or register setting. The RTL8316B default setting enables dropping of these reserved group MAC address control frames. Frames with group MAC address 01-80-C2-00-00-01 (802.3x Pause), 01-80-C2-00-00-02 (802.3ad LACP) will always be filtered.

The RTL8316B supports IEEE 802.3x full duplex flow control and back pressure half duplex flow control. Full duplex flow control can be disabled both manually or automatically to ensure QoS control or bandwidth control operates correctly. Broadcast storm filtering prevents network crashes caused by abnormal broadcast activity.

As well as supporting IEEE 802.3u auto-negotiation, the RTL8316B supports PHY Read/Write registers to access PHY registers through an MDC/MDIO interface. This expands system configuration options.

The RTL8316B is designed with a link-list buffer management architecture and provides 4.8Gbps of bandwidth to achieve wire-speed performance. It also has an intelligent switching engine to prevent Head-of-Line blocking. Only a single 25MHz crystal is required for clock generation.

2. Features

- 16-port 10/100Mbps layer-2 Ethernet switch controller with embedded lookup table and packet buffer
- Supports SMII on all ports
- Built-in 8K entry MAC address lookup table plus 64-entry CAM to eliminate hash collision problems
- Built-in 1.25Mbit SSRAM packet buffer
- Non-blocking wire-speed forwarding and filtering (3.2Gbps throughput)
- Store and forward architecture and head-of-line blocking prevention
- All ports support Speed, Duplex, and 802.3x flow-control ability auto-negotiation
- Supports broadcast storm filtering control
- Supports Trunking function with load balancing and fault tolerance
- Supports up to 32 VLAN groups for port-based VLAN and 802.1Q tag VLAN
- Supports Leaky VLAN
- Two priority queues for three types of Class of Service (CoS)
 - ◆ Port-based
 - ◆ IEEE 802.1p priority tag
 - ◆ TCP/IP header's TOS/DS classifier
- Weighted round robin queue scheduling
- Priority tag insert and remove function
- Supports ASIC based IGMPv1 and IGMPv2 snooping function
- Supports pin strapping, EEPROM, or serial CPU configuration interface
- Supports PHY register read/write access
- Supports Realtek Management Tool (RMT[®]) for in-band configuration and management
- Supports simple MIB counters
- TX/RX packet/byte, CRC error, and collision counter for diagnostics/statistics
- Supports per-port bandwidth control
- Supports loop detection and indication function
- Provides Scan LED, serial LED, and parallel LED interface for port properties and diagnostic display
- Provides Write EEPROM function via software (RMT[®] or MPU) for Smart Switch application.
- Provides configurable Port Mirror function.
- Needs only one low-cost 25MHz crystal or OSC input
- 0.18 μ m, 128-pin PQFP, 3.3V single power, 5V I/O tolerance

3. System Applications

- 10/100Mbps switch controller for a 16-port 10/100 dumb or smart switch application.

4. Block Diagram

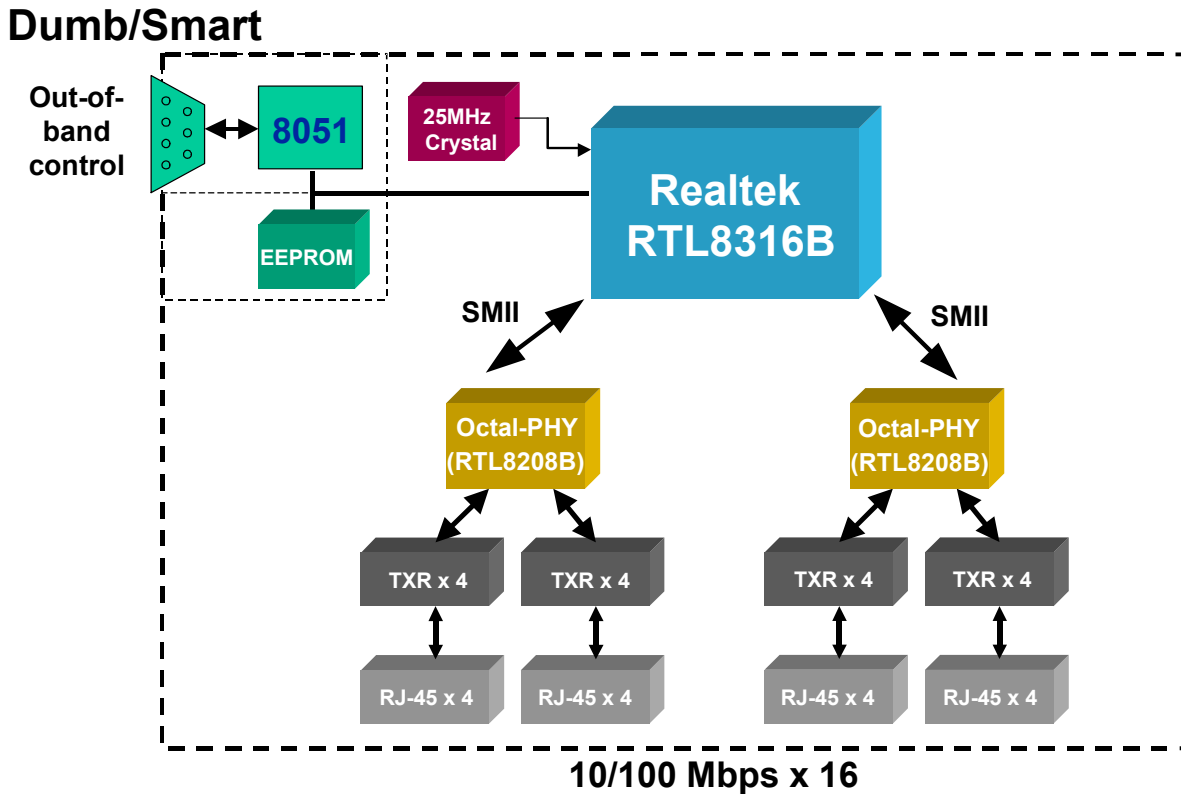


Figure 1. Block Diagram

5. Functional Block Diagram

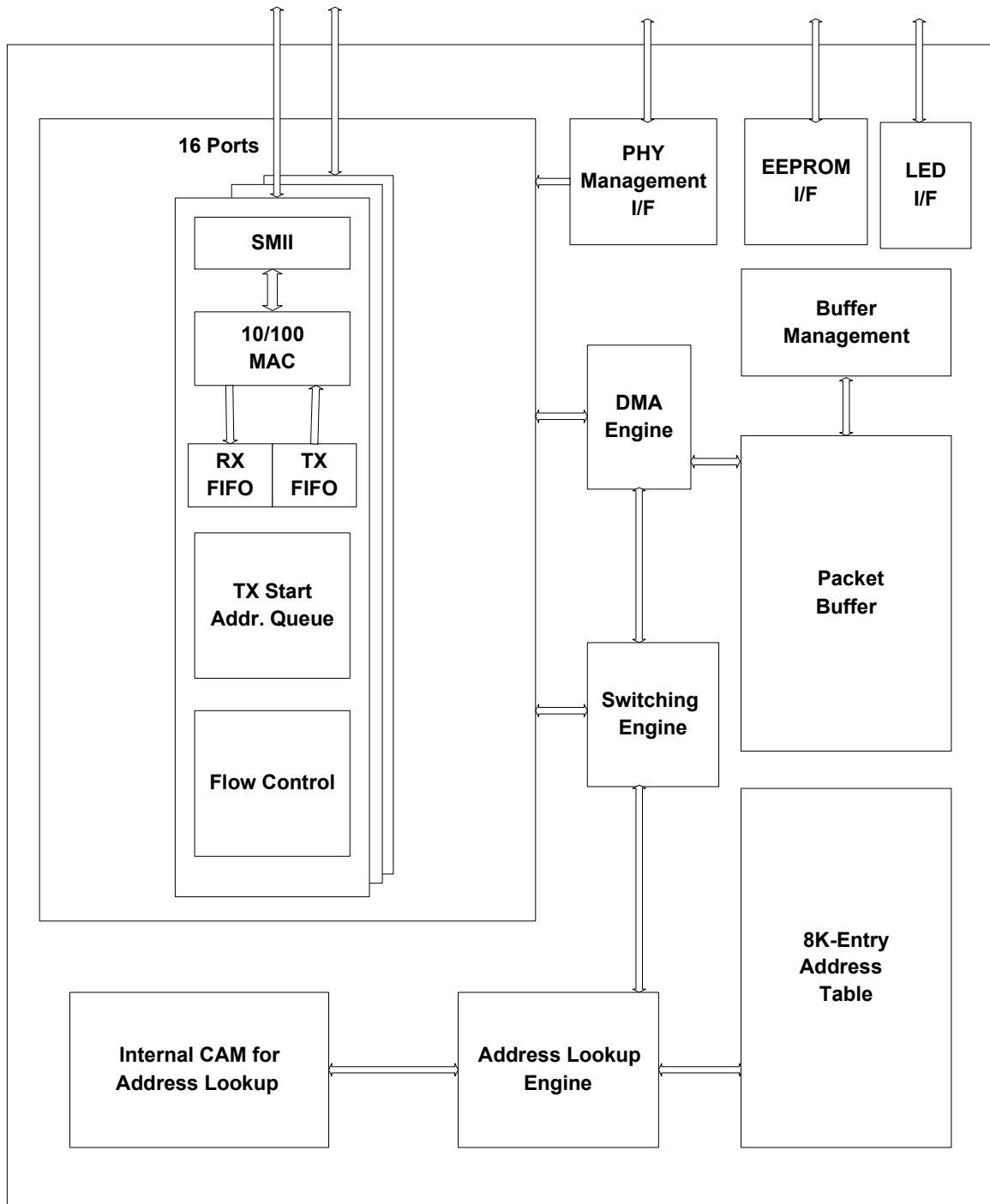


Figure 2. Functional Block Diagram

6. Pin Assignments

6.1. Pin Assignments Figure

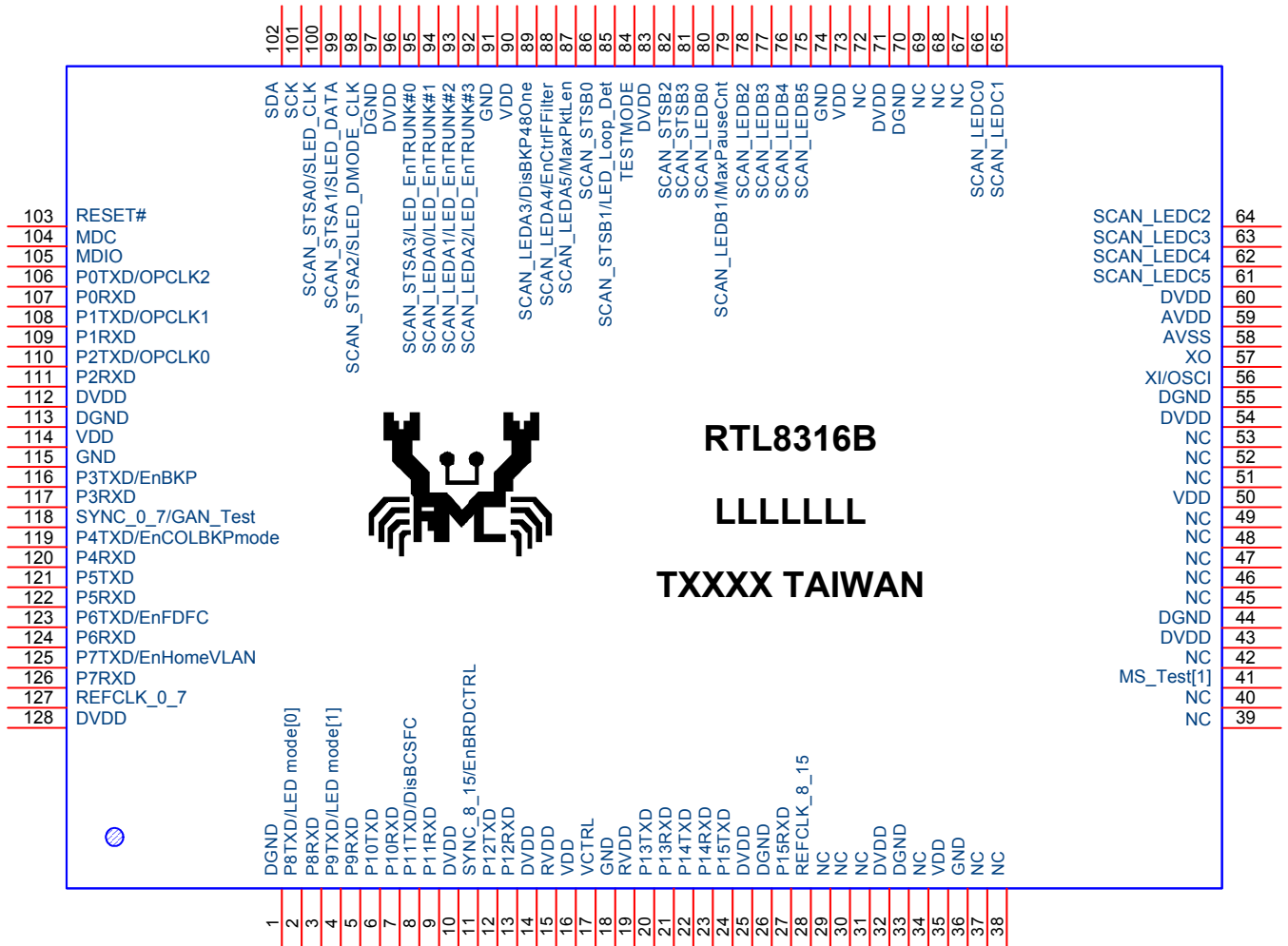


Figure 3. Pin Assignments

6.2. Lead (Pb)-Free Package Identification

Lead (Pb)-free package is indicated by an 'L' in the location marked 'T' in Figure 3.

6.3. Pin Assignments Table (128-Pin PQFP)

Type codes used: P = Power; G = Ground, I = Input, O = Output. PU= Internal Pull-up. PD= Internal Pull-down. Internal resistor = 40KΩ

Table 1. Pin Assignment Table (PQFP-128)

Pin No.	Type	Pin Name	Pin No.	Type	Pin Name
1	G	DGND	38	I _{PD}	NC
2	I/O _{PU}	P8TXD/LED mode[0]	39	O _{PU}	NC
3	I _{PD}	P8RXD	40	I _{PU}	NC
4	I/O _{PD}	P9TXD/LED mode[1]	41	I/O _{PU}	MS_Test[1]
5	I _{PU}	P9RXD	42	O _{PU}	NC
6	O _{PU}	P10TXD	43	P	DVDD
7	I _{PD}	P10RXD	44	G	DGND
8	O _{PD}	P11TXD/DisBCSFC	45	I _{PD}	NC
9	I _{PD}	P11RXD	46	O _{PD}	NC
10	P	DVDD	47	I _{PD}	NC
11	I/O _{PD}	SYNC_8_15/EnBRDCTRL	48	O _{PD}	NC
12	O _{PD}	P12TXD	49	I _{PD}	NC
13	I _{PD}	P12RXD	50	P	VDD
14	P	DVDD	51	O _{PD}	NC
15	P	RVDD	52	I _{PD}	NC
16	P	VDD	53	O _{PD}	NC
17	O	VCTRL	54	P	DVDD
18	G	GND	55	G	DGND
19	P	RVDD	56	I	XI/OSCI
20	O _{PD}	P13TXD	57	O	XO
21	I _{PD}	P13RXD	58	G	AVSS
22	O _{PD}	P14TXD	59	P	AVDD
23	I _{PD}	P14RXD	60	P	DVDD
24	O _{PD}	P15TXD	61	O _{PU}	SCAN_LEDC5
25	P	DVDD	62	O _{PU}	SCAN_LEDC4
26	G	DGND	63	O _{PU}	SCAN_LEDC3
27	I _{PD}	P15RXD	64	O _{PU}	SCAN_LEDC2
28	O _{PD}	REFCLK_8_15	65	O _{PU}	SCAN_LEDC1
29	O _{PD}	NC	66	O _{PU}	SCAN_LEDC0
30	I _{PD}	NC	67	O _{PU}	NC
31	O _{PD}	NC	68	O _{PU}	NC
32	P	DVDD	69	O _{PU}	NC
33	G	DGND	70	G	DGND
34	I _{PD}	NC	71	P	DVDD
35	P	VDD	72	O _{PU}	NC
36	G	GND	73	P	VDD
37	O _{PU}	NC	74	G	GND

Pin No.	Type	Pin Name
75	O _{PU}	SCAN_LEDB5
76	O _{PD}	SCAN_LEDB4
77	O _{PD}	SCAN_LEDB3
78	O _{PD}	SCAN_LEDB2
79	I/O _{PD}	SCAN_LEDB1/MaxPauseCnt
80	O _{PU}	SCAN_LEDB0
81	O _{PU}	SCAN_STSB3
82	O _{PU}	SCAN_STSB2
83	G	DVDD
84	O	TESTMODE
85	O _{PU}	SCAN_STSB1/LED_Loop_Det
86	O _{PU}	SCAN_STSB0
87	I/O _{PD}	SCAN_LEDA5/MaxPktLen
88	I/O _{PD}	SCAN_LEDA4/EnCtrlFilter
89	I/O _{PU}	SCAN_LEDA3/DisBKP48One
90	P	VDD
91	G	GND
92	O _{PU}	SCAN_LEDA2/LED_EnTRUNK#3
93	O _{PU}	SCAN_LEDA1/LED_EnTRUNK#2
94	O _{PU}	SCAN_LEDA0/LED_EnTRUNK#1
95	O _{PU}	SCAN_STSA3/LED_EnTRUNK#0
96	P	DVDD
97	G	DGND
98	O _{PU}	SCAN_STSA2/SLED_DMODE_CLK
99	O _{PU}	SCAN_STSA1/SLED_DATA
100	O _{PU}	SCAN_STSA0/SLED_CLK
101	I/O _{PU}	SCK
102	I/O _{PU}	SDA
103	I _{PU}	RESET#
104	O _{PU}	MDC
105	I/O _{PU}	MDIO
106	O _{PL}	P0TXD/OPCLK2
107	I _{PL}	P0RXD
108	O _{PL}	P1TXD/OPCLK1
109	I _{PL}	P1RXD
110	O _{PL}	P2TXD/OPCLK0
111	I _{PU}	P2RXD
112	P	DVDD
113	G	DGND
114	P	VDD
115	G	GND
116	I/O _{PU}	P3TXD/EnBKP
117	I _{PU}	P3RXD

Pin No.	Type	Pin Name
118	I/O _{PU}	SYNC_0_7/GAN_Test
119	I/O _{PD}	P4TXD/EnCOLBKPmode
120	I _{PD}	P4RXD
121	O _{PD}	P5TXD
122	I _{PD}	P5RXD
123	I/O _{PU}	P6TXD/EnFDFC
124	I _{PD}	P6RXD
125	I/O _{PD}	P7TXD/EnHomeVLAN
126	I _{PD}	P7RXD
127	O _{PU}	REFCLK_0_7
128	P	DVDD

7. Pin Descriptions

Type codes used: P = Power; G = Ground, I = Input, O = Output, Pu = Internal pull up (40K ohm), Pd = Internal pull down (40K ohm).

7.1. SMII Interface

Table 2. SMII Interface

Pin Name	Type	Pin No.	Description
P0TXD	O	106	SMII Transmit Data Output:
P1TXD		108	SMII transmit data is formed in 10-bit serial words. Each word contains one
P2TXD		110	data byte (two nibbles of 4B coded data) and two
P3TXD		116	status bits.
P4TXD		119	The SMII operates at 125MHz using a global reference clock
P5TXD		121	(REFCLK) and frame synchronization signal (SYNC).
P6TXD		123	
P7TXD		125	SMII transmit data is input on these pins, where:
P8TXD		2	Ports 0~7 transmit data is sent synchronously to SYNC_0_7
P9TXD		4	and REFCLK_0_7.
P10TXD		6	
P11TXD		8	Ports 8~15 transmit data is sent synchronously to SYNC_8_15
P12TXD		12	and REFCLK_8_15.
P13TXD		20	
P14TXD		22	
P15TXD	24		
P0RXD	I	107	SMII Receive Data Input:
P1RXD		109	SMII receive data is input on these pins. Where:
P2RXD		111	
P3RXD		117	Ports 0~7 receive data is received synchronously to SYNC_0_7 and
P4RXD		120	REFCLK_0_7.
P5RXD		122	
P6RXD		124	Ports 8~15 receive data is received synchronously to SYNC_8_15 and
P7RXD		126	REFCLK_8_15.
P8RXD		3	
P9RXD		5	
P10RXD		7	
P11RXD		9	
P12RXD		13	
P13RXD		21	
P14RXD		23	
P15RXD	27		
SYNC_0_7	O	118	SMII Synchronization Output.
SYNC_8_15		11	SMII transmit/receive data 10-bit word frame synchronization. Where: SYNC_0_7 synchronizes data for ports 0~7. SYNC_8_15 synchronizes data for ports 8~15.

Pin Name	Type	Pin No.	Description
REFCLK_0_7	O	127	SMII Reference Clock Output.
REFCLK_8_15		28	The SMII reference clock output is a 125MHz +- 50ppm clock used to synchronize the SMII data. Ports 0~7 data is sent or received synchronously to SYNC_0_3. Ports 8~15 data is sent or received synchronously to SYNC_8_15.

7.2. Serial Management Interface (SMI)

Table 3. Serial Management Interface (SMI)

Pin Name	Type	Pin No	Description
MDC	O (Pu)	104	Serial Management Data Clock (MDC). MDC typically operates at 730KHz. MDC is in tri-state when RST# is active low.
MDIO	IO (Pu)	105	Serial Management Data Input/Output. MDIO is in tri-state when RST# is active low.

7.3. Serial EEPROM Interface

Table 4. Serial EEPROM Interface

Pin Name	Type	Pin No	Description
SCK	IO (Pu)	101	Serial EEPROM Interface Clock Output/ Serial CPU Access Clock Input. SCLK acts as an output pin after hardware reset for EEPROM read access. When the configuration download from EEPROM is finished, or if the EEPROM does not exist, then the SCLK will act as an input pin driven by an external CPU to access the RTL8316B internal registers. SCLK Frequency: Output: Operates at 100KHz Input: Max limit: 10MHz
SDA	IO (Pu)	102	Serial EEPROM Data Input/Output/Serial CPU Access Data Input/Output. After power on, this pin is EEPROM serial data IO. When the configuration download from EEPROM is finished, or if the EEPROM does not exist, then this pin acts as a serial CPU data IO.

7.4. System Pins

Table 5. System Pins

Pin Name	Type	Pin No	Description
RESET#	I (Pu)	103	System Reset. Active low to reset the system to a known state. After power-on reset (low to high), the configuration modes from Mode Control Pins (page 10) are strapped and determined.
XI/OSCI	I	56	Crystal Input/Oscillator Input. This is a 25Mhz +-50 ppm crystal input or oscillator input. When crystal is used, a capacitor connected from this pin to ground is recommended.
XO	O	57	Crystal Output. When crystal is used, a capacitor connected from this pin to ground is recommended. When an oscillator is used, keep this pin floating.

7.5. Mode Control Pins

The Mode Control pin values are strapped on power on reset. The strapped values may be updated via EEPROM configuration if it exists. They can also be modified by internal register access from the CPU interface.

Table 6. Mode Control Pins

Pin Name	Pin No.	Type	Description
MaxPktLen (SCAN_LED5)	87	I/O (P-down)	Max. Valid Packet Length Control. 0: 1536 bytes (Default) 1: 1552 bytes
MaxPauseCnt (SCAN_LED1)	79	I/O (P-down)	Max Pause frame Count for Congestion Control. 0: 128 (Default) 1: Continuous
EnCOLBKmode (P4TXD)	119	I/O (P-down)	Enable Carrier-Based Back Pressure Mode. Half duplex back pressure flow control algorithm selection. 0: Carrier-based back pressure mode (Default) 1: Collision-based back pressure mode
EnCtrlFilter/ (SCAN_LED4)	88	I/O (P-down)	Enable 802.1D Specified Reserved Control Frame Filtering. When network control frames are received with the destination MAC address as the group MAC address: (01-80-C2-00-00-04 ~ 01-80-C2-00-00-0F), the switch will drop the frames if the EnCtrlFilter=1. If EnCtrlFilter=0 the frames will be flooded. 0: Disable Filtering (Default) 1: Enable Filtering

Pin Name	Pin No.	Type	Description
EnHomeVLAN (P7TXD)	125	I/O (P-down)	Enable Home-VLAN Configuration. When enabled, the switch will be configured in Home-VLAN mode. The “Home-VLAN topology” is shown below: 0: Disable Home-VLAN Function (Default) 1: Enable (set VLAN as 16 VLANs without overlapping port).
EnFDFC (P6TXD)	123	I/O (P-up)	Global Disable Full Duplex 802.3x Pause Flow Control Ability. Globally disables the 802.3x Pause ability flow control of all ports. 1: Enable 802.3x Pause flow control ability (Default) 0: Disable 802.3x Pause flow control ability
EnBKP (P3TXD)	116	I/O (P-up)	Global Disable Half Duplex Back Pressure Flow Control Ability. Globally disables the back pressure flow control ability of all ports. 1: Enable back pressure flow control ability (Default) 0: Disable back pressure flow control ability
EnBKP48One (SCAN_LED3)	89	I/O (P-up)	Enable Back Pressure 48 Pass One Algorithm. When the 48 Pass One algorithm is enabled, the switch will pass one incoming packet for every 48 collisions. 0: Disable 48 Pass One algorithm 1: Enable 48 Pass One algorithm (Default)
DisBCSFC (P11TXD)	8	I/O (P-down)	Disable Broadcast Packet Strict Flood Control. Set to disable broadcast packet (DA: ‘FF-FF-FF-FF-FF-FF’) strict flood mode and configure to loose flood mode. Strict flood mode will drop all broadcast packets if any one destination port is congested. Loose flood mode allows broadcast packets to be flooded to all non-congested ports. 0: Enable Broadcast Packet Strict Flood (Strict flood mode) (Default) 1: Disable Broadcast Packet Strict Flood (Loose flood mode)
EnBRDCTRL (SYNC_8_15)	11	I/O (P-down)	Broadcast Storm Filtering Control. Disables broadcast storm filtering control. 0: Disable Broadcast storm filtering control (Default) 1: Enable Broadcast storm filtering control
LED mode[1:0] P9TXD P8TXD	4 2	I/O (P-down, P-up)	00: Scan LED mode. 01: Serial LED mode (single color) (default) 10: Serial LED mode (bi-color) 11: Reserved

7.6. LED Pins

7.6.1. Scan LED Pins

Table 7. Scan LED Pins

Pin Name	Pin No.	Type	Description
Port 0_7 Scan_LED Group SCAN_LED A5 SCAN_LED A4 SCAN_LED A3 SCAN_LED A2 SCAN_LED A1 SCAN_LED A0 SCAN_STSA3 SCAN_STSA2 SCAN_STSA1 SCAN_STSA0	87 88 89 92 93 94 95 98 99 100	I/O	Scan LED pins display for port0~port7 link status. In Scan LED mode, this LED group display each port's (1)Speed (2) Link/Active (3) Collision/Duplex status without external TTL.
Port 8_15 Scan_LED Group SCAN_LED B5 SCAN_LED B4 SCAN_LED B3 SCAN_LED B2 SCAN_LED B1 SCAN_LED B0 SCAN_STSB3 SCAN_STSB2 SCAN_STSB1 SCAN_STSB0	75 76 77 78 79 80 81 82 85 86	I/O	Scan LED pins display for port8~port15 link status. In Scan LED mode, this LED group display each port's (1) Speed (2) Link/Active (3) Collision/Duplex status without external TTL.
Scan_LED Group SCAN_LED C5 SCAN_LED C4 SCAN_LED C3 SCAN_LED C2 SCAN_LED C1 SCAN_LED C0	61 62 63 64 65 66	I/O	Pins used for Scan LED application.

7.6.2. Serial LED Pins

Table 8. Serial LED Pins

Pin Name	Pin No.	Type	Description
SLED_CLK (SCAN_STSA0)	100	O	Serial LED Shift Clock. In Serial LED mode, when Serial LED mode is enabled, periodically active to enable SLED_DATA to shift into the external shift register.
SLED_DATA (SCAN_STSA1)	99	O	Serial LED Data Output. In Serial LED mode, when Serial LED mode is enabled, serial LED data is shifted out when SLED_CLK is active.
SLED_DMODE_CLK (SCAN_STSA2)	98	I	Serial LED Diagnostic Mode Item Select Control Pulse Input. This is an external signal pulse input signal for diagnostic item selection. The diagnostic LED display item will change whenever there is a signal pulse clock input on this pin. The diagnostic items list and its display sequence is as follows: (1) DisablePort/RxError (active low) On: Port disabled Blinking: Error Packet Received (includes dropped packets) (2) FlowControl/FCActive (active low) On: Flow control ability enabled Blinking: Congestion flow control active (3) TrunkPort/TKFault (active low) On: Trunk Port Blinking: Trunk link fault port (4) HighPriorityPort (active low) On: High priority port (5) LoopDetectPort (active low) On: Loop event detected. (6) BroadcastStormAlarmPort (active low) On: Broadcast Storm detected (7) Reserved (8) Reserved
LED_EnTRUNK#0 (SCAN_STSA3)	95	O	Trunk Port Enabled LED output. 0 (On): Trunk Enabled 1 (Off): Trunk Disabled.
LED_EnTRUNK#1 (SCAN_LEDA0)	94		The LED blinks to indicate that there is a trunk member port link down. For Serial LED Mode: act as Trunk 0 (port 0~3) Enable LED.
LED_EnTRUNK#2 (SCAN_LEDA1)	93		For Serial LED Mode: act as Trunk 1 (port 4~7) Enable LED.
LED_EnTRUNK#3 (SCAN_LEDA2)	92		For Serial LED Mode: act as Trunk 2 (port 8~11) Enable LED. For Serial LED Mode: act as Trunk 3 (port 12~15) Enable LED.
LED_Loop_Det (SCAN_STSB1)	85	O	For Serial LED mode: act as Loop detect for global port. Loop Detect LED output. 0: Loop detected 1: Loop not detected

7.7. Power/Ground Pins

Table 9. Power/Ground Pins

Pin Name	Type	Pin No	Description
DVDD	3.3V(I)	10, 14 25, 32 43, 54 60, 71 83, 96, 112, 128	3.3V for I/O digital power.
DGND	GND	1, 26 33, 44 55, 70 97, 113	GND for I/O.
RVDD	3.3V(I)	15 19	3.3V for internal 3.3V to 1.8V regular power input.
VDD	1.8V(I)	16, 35 50, 73 90, 114	1.8V input for internal test used. Do not supply 1.8V if RVDD is used.
GND	GND	18, 36 74, 91 115	GND for Core power.
VCTRL	1.8V(o)	17	Voltage control: This pin controls a PNP transistor to generate the 1.8V power supply for VDD pins. Normally keep this pin floating.
AVDD	3.3V(I)	59	3.3V for PLL power.
AVSS	GND	58	GND for PLL.

7.8. Test Pins

Table 10. Test Pins

Pin Name	Pin No.	Type	Description
TESTMODE	84	I/O (Pd)	Test pin. Normally not pulled up or down.
MS_Test[1]	41	I/O (P-Up)	Must use 4.7K resistor to pull down to ground.
GAN_Test (SYNC_0_7)	118	I/O	Must use 1K resistor to pull up to 3.3V.
NC Pins	29, 30, 32, 34, 37, 38, 39, 40, 42, 45, 46, 47, 48, 49, 51, 52, 53, 67, 68, 69		Keep NC pins floating.
OPCLK2 (P0TXD)	106	I/O (P-down)	Test pin. Normally not pulled up or down.
OPCLK1 (P1TXD)	108	I/O (P-down)	Test pin. Normally not pulled up or down.
OPCLK0 (P2TXD)	110	I/O (P-down)	Test pin. Normally not pulled up or down.

8. Functional Description

8.1. Reset

8.1.1. Hardware Reset

In a power-on reset, an internal power-on reset pulse (44ms) will be generated and the RTL8316B will start the reset initialization procedures. These are:

- Determine various default settings via the hardware strap pins at the end of the RST# signal
- Auto load the configuration from EEPROM if EEPROM is detected (approx. 10ms)
- Complete the embedded SSRAM BIST process (approx. 24 ms)
- Initialize the packet buffer descriptor allocation
- Initialize the internal registers and prepare them to be accessed by the serial CPU interface
- Start MDC/MDIO configuration and polling

Note 1: To guarantee register access is valid and correct, the RTL8316B registers should not be accessed before the reset initialization process is finished.

Note 2: The connected PHY should have completed the reset process before the RTL8316B starts the MDC/MDIO configuration and polling process.

8.1.2. Software Reset

The software reset command resets the system control circuit and restarts auto-negotiation. It keeps the user configured settings. Hardware pin strapping, EEPROM auto load, and SSRAM BIST are NOT done when using the software reset command.

8.2. MAC to PHY Interface

The MAC to PHY interface supports SMII for all ports.

8.3. Fast Ethernet Port (SMII Interface)

Ports 0~15 are 10/100M Fast Ethernet ports supporting a Serial Media Independent Interface (SMII). The RTL8316B provides three SMII synchronous 125MHz clock outputs for three octal PHYs.

8.4. MAC Address Table Search and Learning

The RTL8316B MAC address lookup table consists of an 8K-entry hash table and 64-entry Content Addressable Memory (CAM). The RTL8316B uses the last 13 bits of the MAC address to index the 8K-entry lookup table for address searching and learning. If the mapped location in the 8K entries is occupied, then the RTL8316B will compare the destination MAC address with the contents of the CAM for address searching, and store the source MAC address in the CAM for address learning. The 64-entry CAM helps avoid address hash collisions and improves switch performance.

8.5. MAC Table Aging Function

In a dynamic network topology, address aging allows the contents of the address table to always be the most recent and correct. A learned source address entry will be cleared (aged out) if it is not updated by the address learning process within a set aging time period. The default aging timer of the MAC address lookup table is between 200~300 seconds.

8.6. Illegal Frame Filtering

Illegal frames such as CRC error packets, runt packets (length < 64 bytes) and oversize packets (length > maximum length) will be discarded. The maximum packet length may be 1536 or 1552 bytes.

This function is controlled by register 0x0001 [1:0].

Hardware Strapping Pin: MaxPKLen (87).

8.7. IEEE 802.1D Reserved Group Addresses Filtering Control

The RTL8316B supports the ability to drop 802.1D specified reserved group MAC addresses: 01-80-C2-00-00-04 to 01-80-C2-00-00-0F. The default setting disables dropping of these reserved group MAC address control frames. Frames with group MAC address 01-80-C2-00-00-01 (802.3x Pause), 01-80-c2-00-00-02 (802.3ad LACP) will always be filtered. MAC address 01-80-C2-00-00-03 is not filtered.

This function is controlled by register 0x0300 [2].

Hardware Strapping Pin: EnCtrlFFilter (88).

8.8. Backoff Algorithm

The RTL8316B implements the truncated exponential backoff algorithm compliant with the IEEE 802.3 standard. The collision counter is restarted after 16 consecutive collisions.

8.9. Inter-Packet Gap

The Inter-Packet Gap is 9.6 μ s for 10Mbps Ethernet, 960ns for 100Mbps Fast Ethernet.

The RTL8316B supports Transmit Inter-Packet Gap compensation for the frequency shift tolerance of the on-board oscillator.

This function is controlled by register 0x0001 [2].

8.10. Buffer Management

An embedded 1.25Mbit SSRAM is built-in as a packet storage buffer. To efficiently utilize the packet buffer, the RTL8316B divides the SSRAM into 1280 x 128-byte page-based buffers that are linked by a descriptor link list. For an Ethernet packet, a minimum of one, and maximum of 12 pages can be used. The system supports non-blocking wire-speed switching via 16 10/100M ports.

8.11. Flow Control

The RTL8316B supports IEEE 802.3x full-duplex flow control, and half-duplex back pressure congestion control.

8.11.1. IEEE 802.3x Pause Flow Control

IEEE 802.3x flow control is auto-negotiated between the remote device and the RTL8316B by writing the flow control ability, via MDIO, to an external connected PHY.

If a good PAUSE frame is received from any PAUSE flow-control-enabled port with DA=0180C2000001, the corresponding port of the RTL8316B will stop its packet transmission until a PAUSE timer timeout, or another PAUSE frame with zero PAUSE time is received.

The maximum transmitted Pause frame count during a congestion event is controllable. (1) limited to a 128 count (2) unlimited count. The limited count is used to avoid unexpectedly long pause time locks for some network topology traffic.

This function is controlled by register 0x0001 [3].

Hardware Strapping Pin: MaxPauseCnt (79).

8.11.2. Half Duplex Back Pressure Flow Control

The RTL8316B supports two back pressure flow control schemes to force incoming packet backoff when the switch destination port is congested. This back pressure mode is controlled by register 0x0001 [7] and Hardware Strapping Pin: EnCOLBKPMMode (119).

Collision-based back pressure: Uses a 4-byte jam pattern to force collisions with each incoming packet to force the link partner to back off transmissions according to CSMA/CD until the destination port congestion event is cleared. The RTL8316B uses a special half-duplex back pressure design; after 48 forced collisions it unconditionally receives and forwards one packet successfully. This prevents the connected repeater from being partitioned due to excessive collisions.

Carrier-sense-based back pressure: When a congested event is asserted, the RTL8316B continuously sends 4k jam packets with a minimum Inter-Packet Gap to prevent the link partner from transmitting more packets.

8.12. Broadcast Storm Filtering Control

The Broadcast Storm Filtering Control function enables each port to drop broadcast packets (Destination MAC ID is ‘ff ff ff ff ff ff’) after a *continuous received broadcast packets counter* count of 64. The counter is reset to 0 every 800ms or when receiving non-broadcast packets (Destination MAC ID is not ‘ff ff ff ff ff ff’).

This Broadcast Storm Filtering Control function is controlled by register 0x0607 [4].

Hardware Strapping Pin: EnBRDCTRL (11).

8.13. Head-Of-Line Blocking Prevention

The RTL8316B incorporates a simple mechanism to prevent Head-Of-Line blocking problems when flow control is disabled. When the flow control function is disabled, the RTL8316B first checks the destination address of an incoming packet. If the destination port is congested, then the RTL8316B discards this packet to avoid blocking following packets destined for a non-congested port.

8.14. Port Trunking and Fault Recovery Support

Port Trunking is the ability to aggregate several 10/100Mbps ports into a single logical link. There are 4 trunk groups supported by the RTL8316B. They are identified as:

Trunk 0: (Port 0, 1, 2, 3)

Trunk 1: (Port 4, 5, 6, 7)

Trunk 2: (Port 8, 9, 10, 11)

Trunk 3: (Port 12, 13, 14, 15)

They are individually enabled by Register 0x0307[4:1], EnTrunk[3:0] during hardware reset. Each trunk supports a trunking port status LED. The LED will be active low when the trunking function is enabled.

The RTL8316B trunking port always sends packets over the same link path in the trunk with a given source and destination MAC address to prevent frames from getting out of order, but the reverse path may follow a different link.

8.14.1. Load Balancing

The load balancing scheme between links in a trunk group is determined by an Index[2:0] value that is calculated by a DA and SA hash algorithm.

Mapping algorithm. Given a number between 8 values of Index[2:0]:

If link up port is 4. Index value {(7, 6), (5, 4), (3, 2), (1, 0)} maps to LinkUpPort[3:0]

If link up port is 3. Index value {(7, 6, 5), (4, 3, 2), (1, 0)} maps to LinkUpPort[2:0]

If link up port is 2. Index value {(7, 6, 5, 4), (3, 2, 1, 0)} maps to LinkUpPort[1:0]

If link up port is 1. Index value {(7, 6, 5, 4, 3, 2, 1, 0)} maps to LinkUpPort[0]

8.14.2. Trunk Fault Auto Recovery

If a physical port of a trunk group is link down, then the EnTrunkLED will blink to warn of a link-down fault event. The Fault flag will be reported on register 0x0102 (System Fault Indication Register).

The RTL8316B will auto-start the Auto Fault Recovery scheme to distribute the trunk load to the remaining link up ports.

8.15. IGMP Snooping Support

The RTL8316B supports ASIC-based IGMP (Internet Group Management Protocol) snooping. This can be enabled via register 0x0308[0]. No other external CPU handling is required. It supports the ability to parse the IGMP control protocol packets and IP multicast data packets and learn the multicast router port and group address member ports into the multicast address table.

The RTL8316B differentiates between IGMP control protocol packets according to the message type:

- Router protocol packets (IGMP query packets and multicast routing protocol packets) are broadcast to all ports
- Group member protocol packets (IGMP v1, v2, Report and Leave packets) are sent directly to multicast router ports

IP multicast data packets involve multicast group table lookup and forwarding operations. If the table lookup returns a hit, the data packet is forwarded to all member ports and router ports. If the multicast address is not stored in the address table (i.e. lookup miss), the packet is broadcast to all ports of the broadcast domain.

The multicast table is combined with a L2 MAC table with a maximum of 8k entries. For a given multicast entry, the valid port member bit will auto age out after about 5 minutes if the port does not receive a corresponding group address IGMP report packet.

8.16. VLAN Function

The RTL8316B supports a VLAN function to segregate the switch into 32 VLANs. Each VLAN is a broadcast domain and each VLAN may be flexibly configured from 0 to 16 port members. Both port-based and tag-based VLAN functions are supported. The PVID, Tagging Control, and Ingress/Egress rules are manually configured on the VLAN Table at registers 0x030B~0x037C. The VLAN table format is shown as follows:

Table 11. VLAN Table Format

VLAN Entry Index	VID (12-Bit)	Port Member Set (26-bit Bitmap)
0		
1		
2		
:		
31		

‘VID’ defines the 802.1Q VLAN ID. The value of ‘VID’ may NOT be ‘0x000’ or ‘0xfff’.

A VLAN is used to divide the broadcast domain to cut broadcast scope. The VLAN Frame Forwarding Rules are defined as follows:

- A received broadcast/multicast frame will be flood forwarded to VLAN member ports only (‘Port Member Set’ in the VLAN table) of the VLAN except the source port.
- A received unicast frame will be forwarded to its destination port only if the destination port is in the same VLAN as the source port. If the destination port belongs to a different VLAN, the frame will be discarded unless Leaky VLAN control is enabled.
- All VLAN groups share the same layer-2 learned MAC address table (Shared Learning).

8.16.1. Port-Based VLAN

By setting the 0x030B register to disable the En8021Qaware control bit, port-based VLAN is enabled and 802.1Q VLAN tagging is ignored. All other VLAN table configurations are the same as tag-based VLAN functions. The VLAN classification of an incoming packet on a port-based VLAN is defined by the port PVID. The RTL8316B uses the Port VLAN Identifier (PVID) to search the VLAN table for the VLAN member.

8.16.2. IEEE 802.1Q Tag-Based VLAN

By setting the 0x030B register to enable the En8021Qaware control bit, 802.1Q tag-based VLAN is enabled.

VLAN classification is the first step before VLAN table lookup. The method of assigning a unique VID value to a received packet is as follows:

1. For a VLAN-tagged packet.

If the tagged 12-bit VID $\neq 0$, then the tagged VID value is used.

If the tagged VID = 0 (Null VID, priority tag), then the port's PVID value is used.

2. For a non-VLAN-tagged packet, the port's 12-bit PVID value is used.

Note: The 'insert PVID' function for non-VLAN-tagged packets is controlled by registers 0x037D).

After a unique 12-bit VID is assigned, the RTL8316B checks the VLAN table ingress/egress rule, and then forwards the packet to valid destination ports.

8.16.3. Ingress/Egress Filtering Control Parameters

Two VLAN filtering rule control parameters are provided on register 0x030B:

- Acceptable frame type control: Admits all frames or admits only VLAN-tagged frames
- Ingress filtering control: Enables filtering of frames received from a port that is not in this port's VLAN group

8.16.4. Leaky VLAN

The Leaky VLAN feature enables specific frames to be forwarded between different VLANs.

For example, if the VLAN table entry is:

VLAN 1: Port members = {Port 1, 2, 3}

VLAN 2: Port members = {Port 4, 5, 6}

Normally, broadcast, multicast, and unicast packets are not allowed to be switched between these two VLANs. Port 1 broadcast packets will only flood to Port 2 and 3. A Port 1 unicast packet is not allowed to be forwarded to a member of VLAN 2.

If the Leaky VLAN function is enabled, three types of packets may be forwarded to destination ports outside the current VLAN.

1. Unicast Packet: May be forwarded to a destination port (L2 table lookup hit) on a different VLAN
2. ARP Broadcast Packet: May be broadcast to all ports on a switch
3. IP Multicast Packet: May be flooded to all the multicast address group member set, ignoring the VLAN member set domain limitation

These types of leaky control are used when:

- A switch is divided into multiple VLANs and host to host communication is required between the different VLANs without using a router
- You want to improve router performance

8.16.5. Insert/Remove VLAN Priority Tag

The RTL8316B supports Output Priority tagging control via register set 0x0319~0x031B. There are four types of VLAN tagging:

1. Remove the VLAN tag from all tagged packets
2. Insert a priority tag into untagged high-priority packets (Set priority field: 7, VID field: 0 for high priority packets)
3. Insert a priority tag into all untagged packets (Set priority field: 7, VID field: 0 for high priority packet. Set priority field: 0, VID field: 0 for low priority packets)
4. Don't touch (No modification made to the packet)

Note: This function may be enabled whether the VLAN function is enabled or not.

8.17. QoS Function

The RTL8316B can recognize QoS priority information in an incoming packet and send the packet to different priority queues for different service priority. The RTL8316B identifies the packet's priority based on three types of QoS priority information:

- Port-based priority
- IEEE 802.1p/Q VLAN tag
- TCP/IP TOS/DiffServ (DS) priority field

These three types of QoS can be configured via hardware pins, EEPROM, or Registers 0x0400 ~ 0x0401.

The RTL8316B supports two priority level queues. The queue service rate is based on the Weighted Round Robin algorithm. The packet-based service weight ratio of high-priority and low-priority queuing can be set to 4:1, 8:1, 16:1 or 'Always high priority first'.

8.17.1. Port-Based Priority

When port-based priority is applied, any packet received from a high priority port will be treated as a high priority packet.

8.17.2. IEEE 802.1p/Q-Based Priority

When 802.1p tag priority is applied, the RTL8316B recognizes 802.1Q VLAN tagged packets and extracts the 3-bit User Priority information from the VLAN tag. The RTL8316B sets the User Priority threshold to 3. VLAN tagged packets with User Priority values 4~7 are treated as high priority packets, and other User Priority values (0~3) as low priority packets (follows the IEEE 802.1p standard).

8.17.3. Differentiated Services Based Priority

When TCP/IP's TOS/DiffServ (DS) based priority is applied, the RTL8316B recognizes TCP/IP Differentiated Services Codepoint (DSCP) priority information from the DS-field defined in RFC2474. The DS field byte for IPv4 is the Type-of-Service (TOS) octet. Recommended DiffServ Codepoints are defined in RFC2597 for classifying traffic into different service classes. The RTL8316B extracts the codepoint value of the DS field from IPv4 packets and identifies the priority of the incoming IP packet following the definitions listed below:

High Priority. DS-field = 101110 (EF, Expected Forwarding)

001010; 010010; 011010; 100010 (AF, Assured Forwarding)

11x000 (Network Control)

Low Priority. DS-field = Other values

VLAN tagged packet formats are shown below:

6 bytes	6 bytes	2 bytes	3 bits	1 bit	12 bits		4 bytes
DA	SA	81-00	User Priority (0~3: Low-pri; 4~7: High-pri)	CFI	VLAN Identifier	Data	CRC

Figure 4. 802.1Q VLAN Tag Frame Format

6 bytes	6 bytes	4 bytes	2 bytes	4 bits	4 bits	6 bits	2 bits		4 bytes
DA	SA	802.1Q Tag (Optional)	08-00	Version IPv4: 0100	IHL	TOS[0:5]: DS-field	----	Data	CRC

Figure 5. IPv4 Frame Format

8.17.4. Flow Control Auto Turn Off

The RTL8316B can automatically turn off IEEE 802.3x flow control and back pressure flow control for 1~2 seconds whenever the port receives a high priority packet. Flow control is re-enabled when no priority packets are received for 1~2 seconds. This auto-turn off function is enabled via Register 0x0400[2].

8.18. Ingress and Egress Bandwidth Control

The RTL8316B supports bandwidth control on all ports. Each port's bandwidth is configurable on both ingress and egress traffic independently. Port bandwidth may be configured to 128kbps, 256kbps, 512kbps, 1Mbps, 2Mbps, 4Mbps, or 8Mbps.

When the ingress or egress traffic bandwidth exceeds the configured threshold, flow control is triggered to limit the throughput. The control description is shown in register 0x020A ~0x0215.

8.19. Simple MIB Counter Support

Three 32-bit MIB counters (Counter 1, Counter 2, and Counter 3) are implemented on each port for basic traffic management and diagnostic purposes.

The MIB object of each counter is configurable. The MIB object selection on each counter is shown in Table 12. A detailed description is given in 10.8 MIB Counter Register, page 50.

Table 12. MIB Object Selection

MIB Object	Counter 1	Counter 2	Counter 3
RX Packet Count	V	-	-
RX Byte Count	V	-	-
TX Packet Count	-	V	-
TX Byte Count	-	V	-
Drop Packet Count	-	-	V
Drop Byte Count	-	-	V
CRC Error Packet Count	V	V	V
Collision Count	V	V	V

8.20. Network Loop Connection Fault Detection

The RTL8316B periodically transmits a Realtek-EtherType (=0x8899) protocol frame to detect network loop faults.

- Normal transmission time interval is five minutes
- If a port detects a loop, the loop event flag will be set (register 0x0101) and the transmission time interval will change to one second to speed up the new topology change detection
- The loop event flag will be cleared and the transmission time interval will return to five minutes if the port does not receive a self-loop detect packet for 3 seconds

Loop Detect Packet Format

The Loop Detect Packet Format is shown below:

Table 13. Loop Detect Packet Format

0	8	16	24	~	32
DA (6) [=0xffffffff]					
DA			SA (6)[=Switch MAC]		
SA					
RealtekEtherType (2) [=0x8899]		Protocol (1) [=03]		Pad 0000	
Pad 00000000					
:					
:					
CRC (4)					

8.21. Realtek Echo Protocol

The Realtek Echo Protocol (REP) supports the Layer 2 Echo test. It is easy for a host to do network connection diagnostics through a simple test packet, with or without other hosts on the network. No IP assignment is required.

When the RTL8316B receives a REP packet, it replies by sending the original REP frame to the source MAC address with the DA and SA exchanged.

Realtek Echo Protocol Frame

The Realtek Echo Protocol frame format is shown below:

0	8	16	24	~	32
DA (6) [=0xffffffff]					
DA			SA (6)[=Switch MAC]		
SA					
RealtekEtherType (2) [=0x8899]			Protocol (1) [=02]		Pad 0000
Pad 00000000					
:					
:					
CRC (4)					

Figure 6. Realtek Echo Protocol Frame

8.22. Disable Port

A port can be disabled via the Port Disable Control Register (register 0x0608~0x0609). When a port is disabled, the port will cease all packet transmission and reception. The physical link status is not changed.

8.23. Port Properties Configuration

The RTL8316B supports a flexible method to configure port properties via the PHY MII register. Configurable properties include Media Speed (10M/100M), Duplex Mode, and 802.3x PAUSE flow control. The properties of each can be configured by auto-negotiation or forced mode (auto negotiation disabled).

The port link state will be reported in the port Link Status register. The configuration description is shown in registers 0x060A ~ 0x0624.

The following shows how to configure the Pause and Asymmetric Pause ability on port property registers (0x060A~0x0615) to get an expected negotiation result.

Table 14. Configuring Pause and Asymmetric Pause

PAUSE	Asymmetric PAUSE	Expected PAUSE Result
0	0	Disable
0	1	Asymmetric to Link Partner
1	0	Symmetric(Default)
1	1	Asymmetric to Link Local or Symmetric

When a port is configured to ‘Forced Mode’ (auto negotiation disabled), the following table shows how to configure flow control ability (TX pause/RX pause) on port property registers (0x060A~0x0615) to get an expected negotiation result.

Table 15. TX/RX Pause Ability in Forced Mode

(0x060A~0x0615) bit[6] Asymmetric PAUSE	(0x060A~0x0615) bit[5] Asymmetric PAUSE	RTL8316B Flow Control Ability
0	0	RX pause ability only
0	1	No Flow Control ability
1	0	TX pause ability only
1	1	Both TX/RX pause ability

8.24. Serial CPU Interface

The RTL8316B supports a serial CPU interface (Slave mode) that shares the same hardware pin (SCK, SDA) as the EEPROM interface (Master mode). The EEPROM and Serial interface can coexist by assigning a different device ID. Define EEPROM device ID=1010-000, RTL8316B device ID=1010-100. The interface is compatible with EEPROM 24LC04.

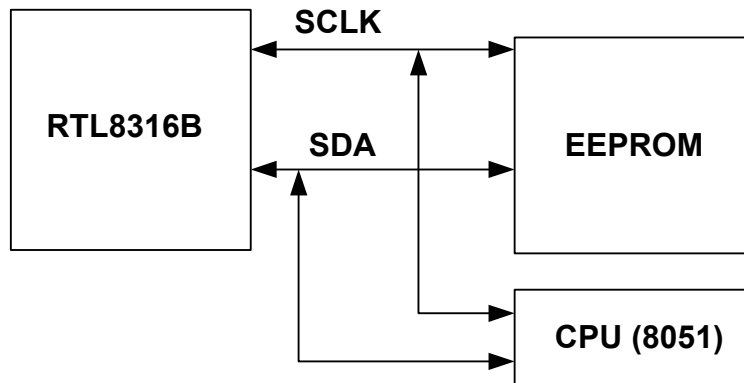


Figure 7. Serial CPU Interface

The serial CPU interface is enabled after the EEPROM download has finished. When operating in serial CPU mode the SCK is an input pin. The SDA is an IO pin with internal pull high.

8.24.1. Serial-CPU Access Format

In Serial CPU mode, 16-bit and 32-bit data access are both supported by the RTL8316B. The Serial Read Write access format is as follows.

- 16-bit Address (MSB first)
- 16/32-bit data Burst Read (Low byte (Byte0) first; MSB first)
- 16/32-bit data Burst Write (Low byte (Byte0) first; MSB first)

Note: Each burst is one byte.

Start and Stop Definition (START; STOP)

A high-to-low transition of SDA with SCLK high is a START condition and it must precede any other command.

A low-to-high transition of the SDA line while the clock (SCLK) is HIGH determines a STOP condition. All operations must end with a STOP.

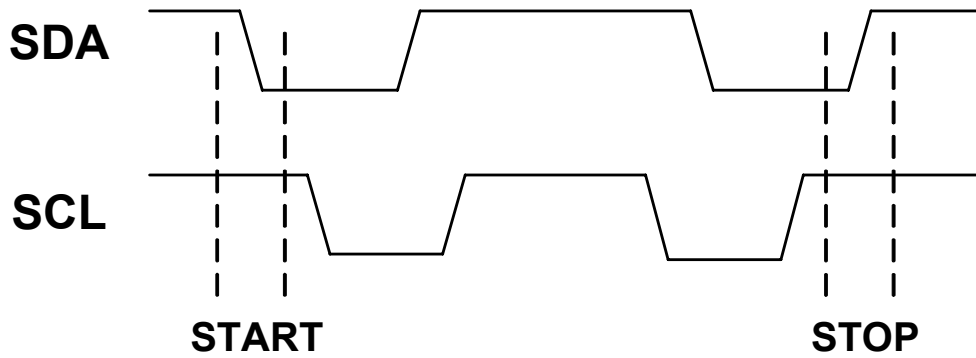


Figure 8. Start and Stop Definition

Output Acknowledge (ACK)

When addressed, each receiving device is obliged to generate an acknowledgment after reception of each byte.

The master device must generate an extra clock pulse that is associated with this acknowledgement bit.

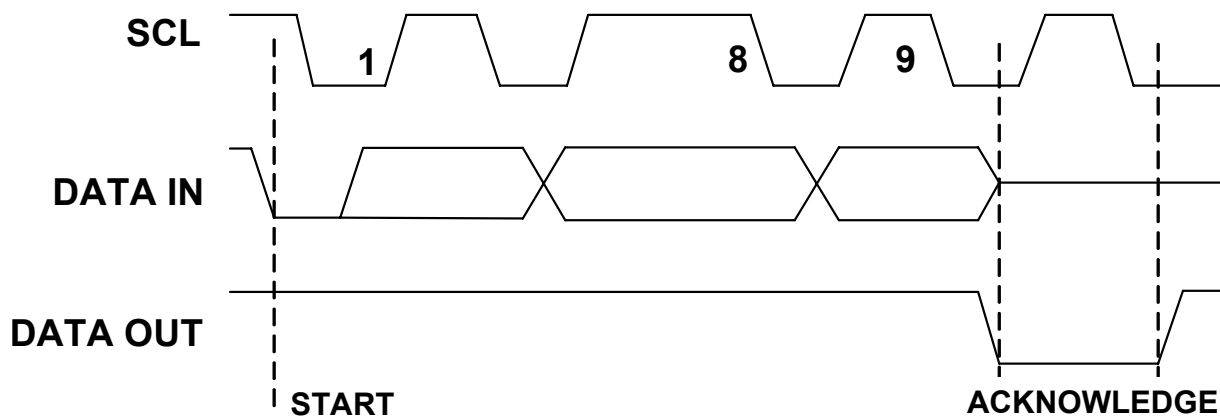


Figure 9. Output Acknowledge (ACK)

Data Valid

The state of the data line represents valid data when, after a START condition, the data line is stable for the duration of the HIGH period of the clock signal.

The data on the line must be changed during the LOW period of the clock signal. There is one clock pulse per bit of data.

Serial CPU 16-Bit Read/Write Format
Table 16. Serial CPU 16-Bit Read/Write Format

Bit Width	1	4	3	1	1	8	1	8	1	8	1	8	1	1
Operation	Start Bit	Control code	Chip Select	RW	Ack	Reg. Addr. [7:0] (MSB first)	Ack	Reg. Addr. [15:8] (MSB first)	Ack	Reg. Data. [7:0] (MSB first)	Ack	Reg. Data. [15:8] (MSB first)	Ack	Stop Bit
16-bit Read	Start	1010	100	1	0 (*A)	Write Data	0 (*A)	Write Data	0 (*A)	Read Data	0 (*B)	Read Data	1 (*B)	Stop
16-bit Write	Start	1010	100	0	0 (*A)	Write Data	0 (*A)	Write Data	0 (*A)	Write Data	0 (*A)	Write Data	1 (*A)	Stop

Note: *A = ACK by RTL8316B. *B = ACK by CPU

Serial CPU 32-Bit Read Format
Table 17. Serial CPU 32-Bit Read Format

Bit Width	1	4	3	1	1	8	1	8	1	8	1	8	1	8	1	8	1	1
Operation	Start Bit	Control code	Chip Select	RW	Ack	Reg. Addr. [7:0] (MSB first)	Ack	Reg. Addr. [15:8] (MSB first)	Ack	Reg. Data. [7:0] (MSB first)	Ack	Reg. Data. [15:8] (MSB first)	Ack	Reg. Data. [23:16] (MSB first)	Ack	Reg. Data. [31:24] (MSB first)	Ack	Stop Bit
32-bit Read	Start	1010	100	1	0 (*A)	Write Data	0 (*A)	Write Data	0 (*A)	Read Data	0 (*B)	Read Data	0 (*B)	Read Data	0 (*B)	Read Data	1 (*B)	Stop

Note: *A = ACK by RTL8316B. *B = ACK by CPU

8.25. PHY Serial Management Interface

The RTL8316B supports PHY management through the serial MDIO and MDC signal (SMI) to start the auto-negotiation process. After a power-on reset, the RTL8316B writes its abilities to the advertisement registers 0, and 4 of the connected PHY and commands the PHY to restart the auto negotiation process. The PHY device address setting is defined as:

Address 16~31 for Fast Ethernet ports 0~15

After restarting auto-negotiation, the RTL8316B will continuously read the link status and abilities of local and link partners to determine the link state.

Port properties (speed, duplex, 802.3x flow control) can be configured via auto-negotiation or forced mode. The configuration is described in register 0x060A ~ 0x0615. The final link status is reported in register 0x0619~0x0624.

8.25.1. SMI (MDC, MDIO) Interface

SMI (MDC, MDIO) Management Packet Format

Table 18. SMI (MDC, MDIO) Management Packet Format

	Management Frame Fields							
	PRE	ST	OP	PHYAD	REGAD	TA	DATA	IDLE
Read	1...1	01	10	AAAAA	RRRRR	Z0	DDDDDDDDDDDDDDDDDD	Z
Write	1...1	01	01	AAAAA	RRRRR	10	DDDDDDDDDDDDDDDDDD	Z

8.25.2. PHY Register Indirect Access

The RTL8316B supports the ability to randomly access PHY registers through a set of control registers at 0x0500~0x0502. Users need to define the PHY address ID, PHY Register ID, Data content of the write command, and operating command type (Read or Write) on the above registers. Then the RTL8316B will auto process the PHY Read/Write access through the MDC/MDIO interface.

Read PHY Register Procedure

Configure PHY Access Control Register (0x0500)

Read the result on PHY Access Read Data Register (0x0502)

Write PHY Register Procedure

Write the PHY Access Write Data Register (0x0501)

Configure the PHY Access Control Register (0x0500)

PHY Address ID Definition

The PHY address ID corresponds to the port location. The PHY address ID of Ports 0~15 are 0x10, 0x11, 0x12 ..., 0x1F.

8.26. LED Interfaces

The RTL8316B provides a flexible per-port LED display to show the per-port link status and diagnostic information. Both a parallel and serial interface are provided to drive the LEDs.

During power on reset, the parallel LED signals are driven low and the serial interface shifts to a low value for about two seconds to turn on all the LEDs for testing purposes.

8.27. Parallel LED Interface

The parallel interface only provides a system status LED.

LED signals include: LED_loopDet, LED_EnTrunk[3:0].

8.28. Serial LED Interface

The serial interface, SLED_CLK, and SLED_DATA provide clock and data to enable the external shift registers 74164 to capture the per-port link status and diagnostic information.

Another pin, LED_DMODE_CLK, provides the diagnostic items selection control. Each pulse signal input from this pin changes the diagnostic item to be displayed on the diagnostic LED.

Each port provides three port-state LEDs (StateLED) and one diagnostic LED (DiagLED). The LED display type can be flexibly configured and can be enabled or disabled to achieve the optimal BOM cost.

The LED display configuration is controlled by register 0x0005h ‘LED Display Configuration Register’, and can also be configured via EEPROM.

The StateLED display is defined by StatLED_mode[2:0] on register 0x0005. The available display types are shown in the following table.

Table 19. Serial LED Interface

StatLEDn_mode[2:0]	000	001	010	011	100	101	110	111
StateLEDn Display Type	Link /Act	100Spd	Duplex /Col	Link/Act /100Spd	Duplex	Act	Link	Col

The display items of the diagnostic LED (DiagLED) are internally defined and are as follows:

Table 20. Diagnostic LED Display

Item	Description
(DiagItem_0) DisablePort/RxError	ON: Disabled port Blinking: RX CRC error
(DiagItem_1) FlowControl/FCActive	ON: Flow control enabled Blinking: Flow control active
(DiagItem_2) TrunkPort/TKFault	ON: Trunking enabled port Blinking: Trunk fault warning
(DiagItem_3) HighPriorityPort	ON: High priority port
(DiagItem_4) LoopDetectPort	ON: Network loop connection fault detect
(DiagItem_5) BroadcastStormAlarmPort	ON: Broadcast Storm Alarm port
(DiagItem_6) NULL	Reserved
(DiagItem_7) NULL	Reserved

The DiagLED display item is changed by a trigger signal input from hardware pin ‘LED_DMODE_CK’. The change sequence order of the DiagLED is:

DiagItem_0 → DiagItem_1 → DiagItem_2 → → DiagItem_7 → Loop to DiagItem_0

8.28.1. Serial LED Display Panel Example (4 LEDs, Register 0x0005)

Enable Serial LED Display Mode:

→ set EnSerialMode: 1

Define Per-port 4 LED Display Mode:

→ Configuration. set EnLED[3:0]: 1111

Define the statLED display type as: StatLED0=Link/Act, StatLED1=10/100M, StatLED2=Duplex/Collision:

→ Configuration. set StatLED0_mode[2:0]=000, StatLED1_mode[2:0]=001, StatLED2_mode[2:0]=010

Follow the same method to configure the per-port 1 LED, per-port 2 LED, and per-port 3 LED display mode, with or without enabling the diagnostic LED.

The LED panel is shown in Figure 10.

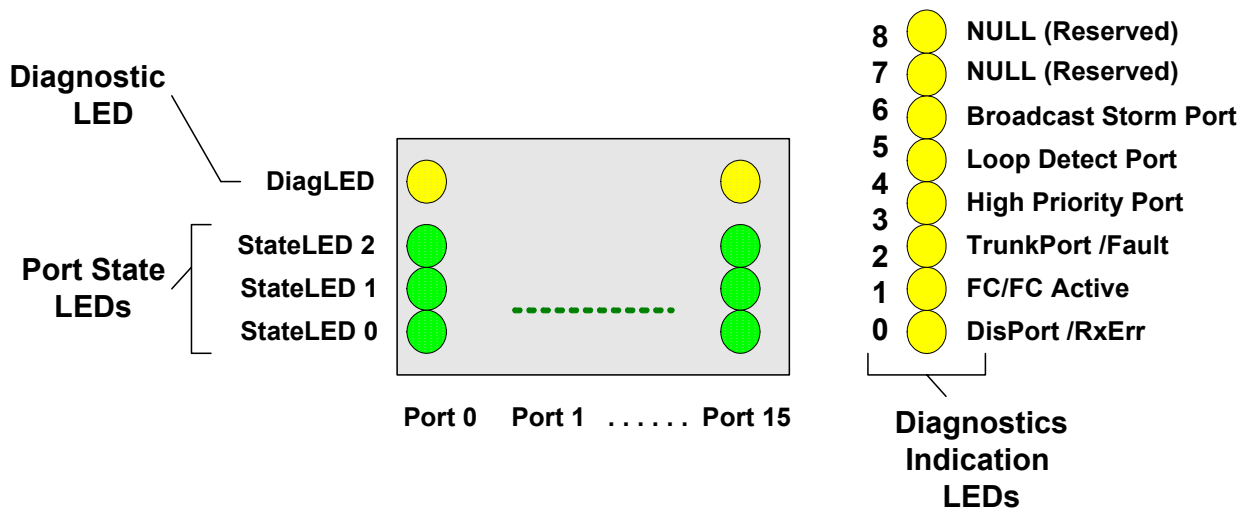
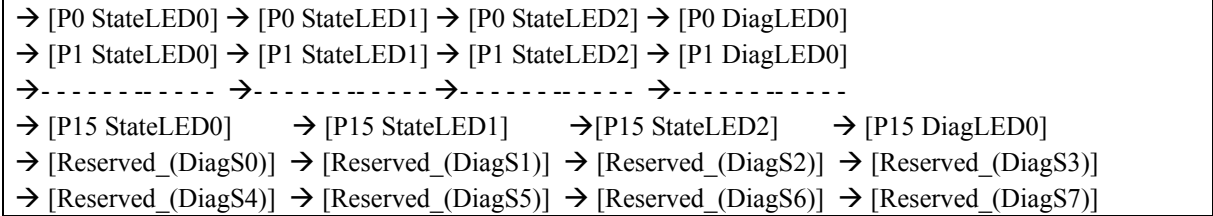


Figure 10. Serial LED Display

8.28.2. Serial LED Shift Out Sequence Order

The Serial LED output sequence is defined as follows: (first bit → ... → last bit).

Each port has four LEDs. There are eight diagnostic LEDs:



8.28.3. Serial LED Bi-Color LED Mode

For RTL8316B 3-bit Bi-color LED mode, Link/Act and Spd are used for one Bi-color LED package, which is a single LED package with two LEDs connected in parallel with opposite polarities.

Spd	Link/Act	Indication	Bi-Color state
0	0	No Link	Off
0	1	100Mb/s Link up	Green
1	0	10Mb/s Link up	Yellow

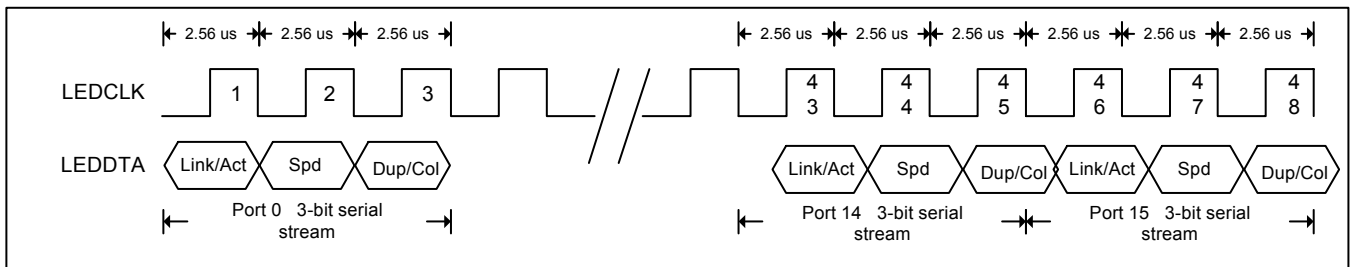
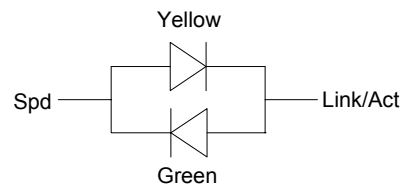


Figure 11. 3-Bit Serial Stream Mode

8.29. SCAN LED Interface

The RTL8316B supports Scan LED display mode. The forms of LED status streams, as shown below, are controlled by HW pin LEDMODE[1:0] = 2b'00, and are latched upon reset.

Table 21. Scan LED Status

LED Status	Description
Spd	Speed Indicator High for 100Mbps and low for 10Mbps
Link/Act	Link, Activity Indicator High for link established Blinks when the corresponding port is transmitting or receiving
Col/Fulldup	Full duplex, Collision Indicator High for full duplex, and low for half duplex mode Blinks when there are collisions on the corresponding port

The RTL8316B provides three Scan LED groups that display each port's status:

Group A

(Scan_LED_A[5:0], Scan_STSA[3:0]) displays status for port0~port7

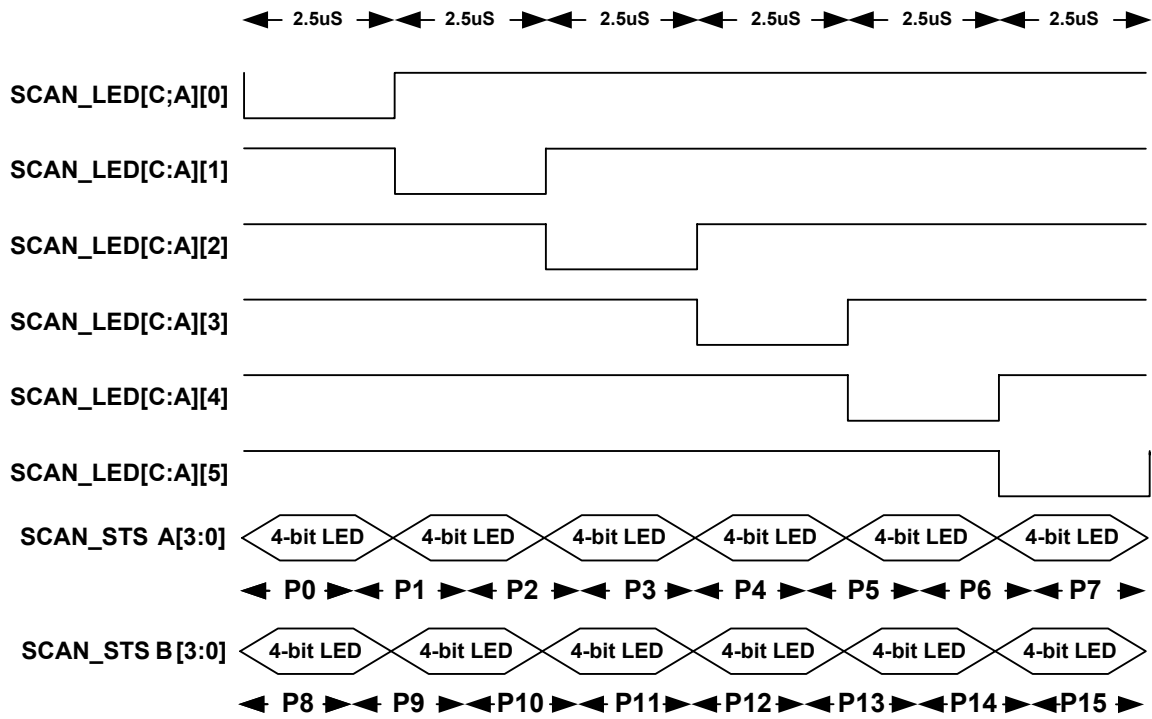
Group B

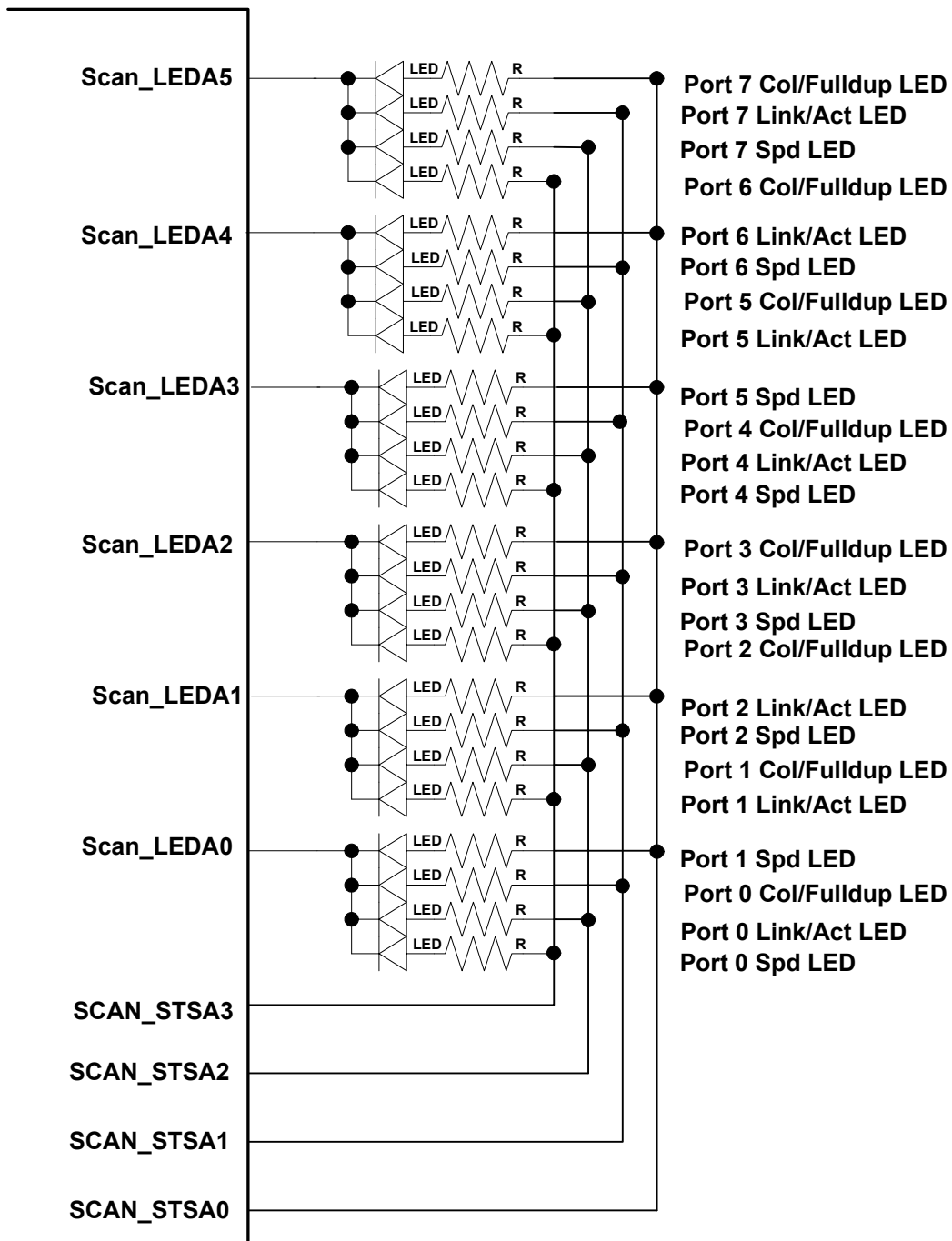
(Scan_LED_B[5:0], Scan_STSB[3:0]) displays status for port8~port15

Group C

(Scan_LED_C[5:0], displays status for applications

Scan_LED_A[5:0], Scan_LED_B[5:0] and Scan_LED_C[5:0] operate with the same timing phase. The Scan LED timing diagram is shown in Figure 12, on page 39.

Scan LED Timing Diagram

Figure 12. Scan LED Timing Diagram

External Circuit for Scan LED
RTL8316B

Figure 13. External Circuit for Scan LED

8.30. Port Mirroring

Port mirroring is used to forward traffic to a selected port based on one or more of the following:

- All traffic received from one or multi selected source ports (source mirroring)
- All traffic transmitted to one selected destination port (destination mirroring)

Table 22. Port Mirror Control Register for P15-P0

Register	Bits	Name	Description	RW	Default
0x0219	15:0	EnPortMirror(0)[15:0]	Enables the port-based mirror function. Bit n corresponds to port n. Write '1' to enable a port's mirror function	RW	0

Table 23. RX Mirror Port Register for P15-P0

Register	Bits	Name	Description	RW	Default
0x021B	15:0	Mirror_RX(0)[15:0]	Bit n corresponds to port n. Write '1' to duplicate port n RX data to mirrored port.	RW	0

Table 24. TX Mirror Port Register for P15-P0

Register	Bits	Name	Description	RW	Default
0x021D	15:0	Mirror_TX(0)[15:0]	Bit n corresponds to port n. Write '1' to duplicate port n TX data to mirrored port.	RW	0

9. Serial EEPROM Configuration (24LC04)

The EEPROM configuration bits are directly mapped to some of the internal registers. For example, EEPROM addresses 0x04h and 0x05h directly map to internal register 0x0005 ‘LED Display Configuration’.

The mapping rule is: EEPROM 0x00h: REG. 0x0002[7:0], EEPROM 0x01h: REG. 0x0002[15:8].

9.1. EEPROM Configuration vs. Internal Register Mapping

Table 25. EEPROM Configuration vs. Internal Register Mapping

EEPROM Physical Address (8-Bit Data Entry) (24LC04)	Description	Corresponding Internal Register Address Mapping	Internal Default
01~00	Reserved	0x0002	0A80
03~02	Reserved	0x0003	0155
05~04	LED Display Configuration 0	0x0005	0E88
07~06	Reserved		
09~08	Reserved		
0B~0A	Reserved		
0D~0C	Realtek Protocol Control	0x0200	0000
0F~0E	Reserved	0x0201	0000
11~10	Reserved	0x0202	0000
13~12	Switch MAC ID 0	0x0203	0000
15~14	Switch MAC ID 1	0x0204	0000
17~16	Switch MAC ID 2	0x0205	0000
19~18	Chip ID 0	0x0206	0000
1B~1A	Vender ID 0	0x0207	0000
1D~1C	Vender ID 1	0x0208	0000
1F~1E	Reserved		
21~20	Reserved		
23~22	ALT Configuration	0x0300	0004
25~24	Port Trunking Configuration	0x0307	0000
27~26	IGMP Control Register	0x0308	0000
29~28	VLAN Control Register	0x030B	0000
2B~2A	Reserved		
2D~2C	Reserved		
2F~2E	QoS Control Register	0x0400	0010
31~30	Port Priority Configuration 0	0x0401	0000
33~32	Port Priority Configuration 1	0x0402	0000
35~34	Reserved		
37~36	Reserved		
39~38	Global Port Control Register	0x0607	0010
3B~3A	Port property Configuration 0	0x060A	AFAF
3D~3C	Port property Configuration 1	0x060B	AFAF
3F~3E	Port property Configuration 2	0x060C	AFAF

EEPROM Physical Address (8-Bit Data Entry) (24LC04)	Description	Corresponding Internal Register Address Mapping	Internal Default
41~40	Port property Configuration 3	0x060D	AFAF
43~42	Port property Configuration 4	0x060E	AFAF
45~44	Port property Configuration 5	0x060F	AFAF
47~46	Port property Configuration 6	0x0610	AFAF
49~48	Port property Configuration 7	0x0611	AFAF
4B~4A	Reserved		
4D~4C	Reserved		
4F~4E	Reserved		
51~50	Reserved		
53~52	Internal use	0x0616	--
55~54	Reserved		
57~56	Reserved		
59 ~~~ 5F	Reserved		
61~60	Designer Diagnostic Configuration	0xFFFF	0000

10. Internal Register Descriptions

Symbols:

R: Read

V: Configurable

W: Write

P: Partially Configurable

RW: Read/Write

X: Not Configurable

10.1. System Configuration Register

Table 26. System Configuration Register

Register Base Address	Offset	Description	RW	Default	Pin	EE
0x0000	0	System Reset	RW	0	X	X
	1	Switch Parameter Register	R(W)	0x84A0	X	X
	2	EEPROM Check ID	R	0	X	V
	3	Reserved				
	4	LED MODE	RW	0001	X	X
	5	LED Display Configuration 0	RW	1E88	X	V
	6	LED Display Configuration 1	RW	0C00	X	V

10.2. System Status Register

Table 27. System Status Register

Register Base Address	Offset	Description	RW	Default	Pin	EE
0x0100	0	Board Trapping Status	R (/W)	0C01	X	X
	1	Loop Detect Status Register(32 bit Reg)	R	0	X	X
	2	System Fault Flag Register	R	0	X	X

10.3. Management Configuration Register

Table 28. Management Configuration Register

Register Base Address	Offset	Description	RW	Default	Pin	EE
0x0200	0	Realtek Protocol Control	RW	0001	X	V
	1	Reserved	RW	0	X	V
	2	Reserved	RW	0	X	V
	3	Switch MAC ID (0)	R	0	X	V
	4	Switch MAC ID (1)	R	0	X	V
	5	Switch MAC ID (2)	R	0	X	V

Register Base Address	Offset	Description	RW	Default	Pin	EE
	6	Chip ID (RO)	R	0	X	V
	7	Vender ID (0) (RO)	R	0	X	V
	8	Vender ID (1) (RO)	R	0	X	V
	9	Reserved				
	0A	Port Rate Control Register	RW	0	X	X
	0B	Port Rate Control Register	RW	0	X	X
	0C	Port Rate Control Register	RW	0	X	X
	0D	Port Rate Control Register	RW	0	X	X
	0E	Port Rate Control Register	RW	0	X	X
	0F	Port Rate Control Register	RW	0	X	X
	10	Port Rate Control Register	RW	0	X	X
	11	Port Rate Control Register	RW	0	X	X
	12	Reserved				
	13	Reserved				
	14	Reserved				
	15	Reserved				
	16	Reserved				
	17	EEPROM RW Command Register	RW	0	X	X
	18	EEPROM RW Data Register	R(/W)	0	X	X
	19	Port Mirror Control Register for P15-P0	RW	0	X	X
	1A	Reserved				
	1B	RX Mirror port mask for P15-P0	RW	0	X	X
	1C	Reserved				
	1D	TX Mirror port mask for P15-P0	RW	0	X	X
	1E	Reserved				

10.4. Address Lookup Table (ALT) Control Register

Table 29. Address Lookup Table (ALT) Control Register

Register Base Address	Offset	Description	RW	Default	Pin	EE
0x0300	0	ALT Configuration	RW	0	P	P
	1	Address Learning Control (0)	RW	0	X	X
	2	Address Learning Control (1)	RW	0	X	X
	3	Unknown SA Management 0 (RO) (0)	R	--	X	X
	4	Unknown SA Management 0 (RO) (1)	R	--	X	X
	5	Unknown SA Management 0 (RO) (2)	R	--	X	X
	6	Unknown SA Management 1(RO)	R	--	X	X
	7	Port Trunking Configuration	RW	8200	P	V
	8	IGMP Control Register	RW	8200	V	V
	9	IP Multicast Router Discovery	R	0	X	X
	0A	Reserved				

Register Base Address	Offset	Description	RW	Default	Pin	EE
	0B	VLAN Control Register	RW	0	P	V
	0C	Port VLAN ID Assignment (0)	RW	0100	X	X
	0D	Port VLAN ID Assignment (1)	RW	0302	X	X
	0E	Port VLAN ID Assignment (2)	RW	0504	X	X
	0F	Port VLAN ID Assignment (3)	RW	0706	X	X
	10	Port VLAN ID Assignment (4)	RW	0908	X	X
	11	Port VLAN ID Assignment (5)	RW	0B0A	X	X
	12	Port VLAN ID Assignment (6)	RW	0D0C	X	X
	13	Port VLAN ID Assignment (7)	RW	0F0E	X	X
	14	Reserved				
	15	Reserved				
	16	Reserved				
	17	Reserved				
	18	Reserved				
	19	VLAN TX Priority Tagging Control (0)	RW	FFFF	X	X
	1A	VLAN TX Priority Tagging Control (1)	RW	FFFF	X	X
	1B	Reserved				
	1C	Reserved				
		Port VLAN Configuration (32*[0,1,2])	RW		X	X
	1D	VLAN_0_Entry_Configuration_0 (member[15:0])	RW	C001	X	X
	1E	Reserved				
	1F	VLAN_0_Entry_Configuration_2 (VID[11:0])	RW	0000	X	X
	20	VLAN_1_Entry_Configuration_0 (member[15:0])	RW	C002	X	X
	21	Reserved				
	22	VLAN_1_Entry_Configuration_2 (VID[11:0])	RW	0000	X	X
	23	VLAN_2_Entry_Configuration_0 (member[15:0])	RW	C004	X	X
	24	Reserved				
	25	VLAN_2_Entry_Configuration_2 (VID[11:0])	RW	0000	X	X
	26	VLAN_3_Entry_Configuration_0 (member[15:0])	RW	C008	X	X
	27	Reserved				
	28	VLAN_3_Entry_Configuration_2 (VID[11:0])	RW	0000	X	X
	29	VLAN_4_Entry_Configuration_0 (member[15:0])	RW	C010	X	X
	2A	Reserved				
	2B	VLAN_4_Entry_Configuration_2 (VID[11:0])	RW	0000	X	X
	2C	VLAN_5_Entry_Configuration_0 (member[15:0])	RW	C020	X	X
	2D	Reserved				
	2E	VLAN_5_Entry_Configuration_2 (VID[11:0])	RW	0000	X	X
	2F	VLAN_6_Entry_Configuration_0 (member[15:0])	RW	C040	X	X
	30	Reserved				
	31	VLAN_6_Entry_Configuration_2 (VID[11:0])	RW	0000	X	X
	32	VLAN_7_Entry_Configuration_0 (member[15:0])	RW	C080	X	X
	33	Reserved				
	34	VLAN_7_Entry_Configuration_2 (VID[11:0])	RW	0000	X	X

Register Base Address	Offset	Description	RW	Default	Pin	EE
	35	VLAN_8_Entry_Configuration_0 (member[15:0])	RW	C100	X	X
	36	Reserved				
	37	VLAN_8_Entry_Configuration_2 (VID[11:0])	RW	0000	X	X
	38	VLAN_9_Entry_Configuration_0 (member[15:0])	RW	C200	X	X
	39	Reserved				
	3A	VLAN_9_Entry_Configuration_2 (VID[11:0])	RW	0000	X	X
	3B	VLAN_10_Entry_Configuration_0 (member[15:0])	RW	C400	X	X
	3C	Reserved				
	3D	VLAN_10_Entry_Configuration_2 (VID[11:0])	RW	0000	X	X
	3E	VLAN_11_Entry_Configuration_0 (member[15:0])	RW	C800	X	X
	3F	Reserved				
	40	VLAN_11_Entry_Configuration_2 (VID[11:0])	RW	0000	X	X
	41	VLAN_12_Entry_Configuration_0 (member[15:0])	RW	D000	X	X
	42	Reserved				
	43	VLAN_12_Entry_Configuration_2 (VID[11:0])	RW	0000	X	X
	44	VLAN_13_Entry_Configuration_0 (member[15:0])	RW	E000	X	X
	45	Reserved				
	46	VLAN_13_Entry_Configuration_2 (VID[11:0])	RW	0000	X	X
	47	VLAN_14_Entry_Configuration_0 (member[15:0])	RW	FFFF	X	X
	48	Reserved				
	49	VLAN_14_Entry_Configuration_2 (VID[11:0])	RW	0000	X	X
	4A	VLAN_15_Entry_Configuration_0 (member[15:0])	RW	FFFF	X	X
	4B	Reserved				
	4C	VLAN_15_Entry_Configuration_2 (VID[11:0])	RW	0000	X	X
	4D	VLAN_16_Entry_Configuration_0 (member[15:0])	RW	0000	X	X
	4E	Reserved				
	4F	VLAN_16_Entry_Configuration_2 (VID[11:0])	RW	0000	X	X
	50	VLAN_17_Entry_Configuration_0 (member[15:0])	RW	0000	X	X
	51	Reserved				
	52	VLAN_17_Entry_Configuration_2 (VID[11:0])	RW	0000	X	X
	53	VLAN_18_Entry_Configuration_0 (member[15:0])	RW	0000	X	X
	54	Reserved				
	55	VLAN_18_Entry_Configuration_2 (VID[11:0])	RW	0000	X	X
	56	VLAN_19_Entry_Configuration_0 (member[15:0])	RW	0000	X	X
	57	Reserved				
	58	VLAN_19_Entry_Configuration_2 (VID[11:0])	RW	0000	X	X
	59	VLAN_20_Entry_Configuration_0 (member[15:0])	RW	0000	X	X
	5A	Reserved				
	5B	VLAN_20_Entry_Configuration_2 (VID[11:0])	RW	0000	X	X
	5C	VLAN_21_Entry_Configuration_0 (member[15:0])	RW	0000	X	X
	5D	Reserved				
	5E	VLAN_21_Entry_Configuration_2 (VID[11:0])	RW	0000	X	X
	5F	VLAN_22_Entry_Configuration_0 (member[15:0])	RW	0000	X	X

Register Base Address	Offset	Description	RW	Default	Pin	EE
	60	Reserved				
	61	VLAN_22_Entry_Configuration_2 (VID[11:0])	RW	0000	X	X
	62	VLAN_23_Entry_Configuration_0 (member[15:0])	RW	0000	X	X
	63	Reserved				
	64	VLAN_23_Entry_Configuration_2 (VID[11:0])	RW	0000	X	X
	65	VLAN_24_Entry_Configuration_0 (member[15:0])	RW	0000	X	X
	66	Reserved				
	67	VLAN_24_Entry_Configuration_2 (VID[11:0])	RW	0000	X	X
	68	VLAN_25_Entry_Configuration_0 (member[15:0])	RW	0000	X	X
	69	Reserved				
	6A	VLAN_25_Entry_Configuration_2 (VID[11:0])	RW	0000	X	X
	6B	VLAN_26_Entry_Configuration_0 (member[15:0])	RW	0000	X	X
	6C	Reserved				
	6D	VLAN_26_Entry_Configuration_2 (VID[11:0])	RW	0000	X	X
	6E	VLAN_27_Entry_Configuration_0 (member[15:0])	RW	0000	X	X
	6F	Reserved				
	70	VLAN_27_Entry_Configuration_2 (VID[11:0])	RW	0000	X	X
	71	VLAN_28_Entry_Configuration_0 (member[15:0])	RW	0000	X	X
	72	Reserved				
	73	VLAN_28_Entry_Configuration_2 (VID[11:0])	RW	0000	X	X
	74	VLAN_29_Entry_Configuration_0 (member[15:0])	RW	0000	X	X
	75	Reserved				
	76	VLAN_29_Entry_Configuration_2 (VID[11:0])	RW	0000	X	X
	77	VLAN_30_Entry_Configuration_0 (member[15:0])	RW	0000	X	X
	78	Reserved				
	79	VLAN_30_Entry_Configuration_2 (VID[11:0])	RW	0000	X	X
	7A	VLAN_31_Entry_Configuration_0 (member[15:0])	RW	0000	X	X
	7B	Reserved				
	7C	VLAN_31_Entry_Configuration_2 (VID[11:0])	RW	0000	X	X
	7D	Insert per-port VID enabling register	RW	0	X	V
	7E	Reserved				

10.5. Queue Control Register

Table 30. Queue Control Register

Register Base Address	Offset	Description	RW	Default	Pin	EE
0x0400	0	QoS Control Register	RW	0	V	V
	1	Port Priority Configuration (0)	RW	0	V	V
	2	Port Priority Configuration (1)	RW	0	V	V
	8	Reserved	RW	0	V	V

10.6. PHY Access Control Register

Table 31. PHY Access Control Register

Register Base Address	Offset	Description	RW	Default	Pin	EE
0x0500	0	PHY Access Addressing Control	R(/W)	0	X	X
	1	PHY Access Write Data	RW	--	X	X
	2	PHY Access Read Data	R	--	X	X

10.7. Port Control Register

Table 32. Port Control Register

Register Base Address	Offset	Description	RW	Default	Pin	EE
0x0600	0~6	Reserved				
	7	Global Port Control Register	RW	0010	V	V
	8	Port Access Authority Control (0)	RW	0	X	X
	9	Port Access Authority Control (1)	RW	0	X	X
	A	Port Property Configuration Register 0 (Port 0, 1)	RW	AFAF	X	V
	B	Port Property Configuration Register 1 (Port 2, 3)	RW	AFAF	X	V
	C	Port Property Configuration Register 2 (Port 4, 5)	RW	AFAF	X	V
	D	Port Property Configuration Register 3 (Port 6, 7)	RW	AFAF	X	V
	E	Port Property Configuration Register 4 (Port 8, 9)	RW	AFAF	X	V
	F	Port Property Configuration Register 5 (Port 10, 11)	RW	AFAF	X	V
	10	Port Property Configuration Register 6 (Port 12, 13)	RW	AFAF	X	V
	11	Port Property Configuration Register 7 (Port 14, 15)	RW	AFAF	X	V
	12	Reserved				
	13	Reserved				
	14	Reserved				
	15	Reserved				
	16	Reserved				
	17	Reserved				
	18	Reserved[15:2], SyncOk [1:0]	R		X	X
	19	Port Link Status Register 0 (Port 0, 1)	R	0	X	X
	1A	Port Link Status Register 1 (Port 2, 3)	R	0	X	X
	1B	Port Link Status Register 2 (Port 4, 5)	R	0	X	X
	1C	Port Link Status Register 3 (Port 6, 7)	R	0	X	X
	1D	Port Link Status Register 4 (Port 8, 9)	R	0	X	X
	1E	Port Link Status Register 5 (Port 10, 11)	R	0	X	X
	1F	Port Link Status Register 6 (Port 12, 13)	R	0	X	X
	20	Port Link Status Register 7 (Port 14, 15)	R	0	X	X
	21	Reserved				
	22	Reserved				
	23	Reserved				
	24	Reserved				

Register Base Address	Offset	Description	RW	Default	Pin	EE
	25	Reserved				
	26	Reserved				
	27	Reserved				
	28	Reserved				

10.8. MIB Counter Register

Table 33. MIB Counter Register

Register Base Address	Offset	Description	RW	Default	Pin	EE
0x0700	0	Port MIB Counter Object Selection Register 0 (Port 0, 1)	RW	0555	X	X
	1	Port MIB Counter Object Selection Register 1 (Port 2, 3)	RW	0555	X	X
	2	Port MIB Counter Object Selection Register 2 (Port 4, 5)	RW	0555	X	X
	3	Port MIB Counter Object Selection Register 3 (Port 6, 7)	RW	0555	X	X
	4	Port MIB Counter Object Selection Register 4 (Port 8, 9)	RW	0555	X	X
	5	Port MIB Counter Object Selection Register 5 (Port 10, 11)	RW	0555	X	X
	6	Port MIB Counter Object Selection Register 6 (Port 12, 13)	RW	0555	X	X
	7	Port MIB Counter Object Selection Register 7 (Port 14, 15)	RW	0555	X	X
	8	Reserved				
	9	Reserved				
	A	Reserved				
	B	Reserved				
	C	Reserved				

10.8.1. Port MIB Counter 1 Register (RX Counter) (32-bits)

Table 34. Port MIB Counter 1 Register (RX Counter) (32-bits)

Register Base Address	Offset	Description	RW	Default	Pin	EE
0x0700	D	Port 0 MIB Counter 1 Register (RX Counter) (32-bits)	R	0	X	X
	E	Port 1 MIB Counter 1 Register (RX Counter) (32-bits)	R	0	X	X
	F	Port 2 MIB Counter 1 Register (RX Counter) (32-bits)	R	0	X	X
	10	Port 3 MIB Counter 1 Register (RX Counter) (32-bits)	R	0	X	X
	11	Port 4 MIB Counter 1 Register (RX Counter) (32-bits)	R	0	X	X
	12	Port 5 MIB Counter 1 Register (RX Counter) (32-bits)	R	0	X	X
	13	Port 6 MIB Counter 1 Register (RX Counter) (32-bits)	R	0	X	X
	14	Port 7 MIB Counter 1 Register (RX Counter) (32-bits)	R	0	X	X
	15	Port 8 MIB Counter 1 Register (RX Counter) (32-bits)	R	0	X	X
	16	Port 9 MIB Counter 1 Register (RX Counter) (32-bits)	R	0	X	X
	17	Port 10 MIB Counter 1 Register (RX Counter) (32-bits)	R	0	X	X
	18	Port 11 MIB Counter 1 Register (RX Counter) (32-bits)	R	0	X	X
	19	Port 12 MIB Counter 1 Register (RX Counter) (32-bits)	R	0	X	X
	1A	Port 13 MIB Counter 1 Register (RX Counter) (32-bits)	R	0	X	X
	1B	Port 14 MIB Counter 1 Register (RX Counter) (32-bits)	R	0	X	X
	1C	Port 15 MIB Counter 1 Register (RX Counter) (32-bits)	R	0	X	X
	1D	Reserved				
	1E	Reserved				
	1F	Reserved				
	20	Reserved				
	21	Reserved				
	22	Reserved				
	23	Reserved				
	24	Reserved				
	25	Reserved				
	26	Reserved				

10.8.2. Port MIB Counter 2 Register (TX Counter) (32-bits)

Table 35. Port MIB Counter 2 Register (TX Counter) (32-bits)

Register Base Address	Offset	Description	RW	Default	Pin	EE
0x0700	27	Port 0 MIB Counter 2 Register (TX Counter) (32-bits)	R	0	X	X
	28	Port 1 MIB Counter 2 Register (TX Counter) (32-bits)	R	0	X	X
	29	Port 2 MIB Counter 2 Register (TX Counter) (32-bits)	R	0	X	X
	2A	Port 3 MIB Counter 2 Register (TX Counter) (32-bits)	R	0	X	X
	2B	Port 4 MIB Counter 2 Register (TX Counter) (32-bits)	R	0	X	X
	2C	Port 5 MIB Counter 2 Register (TX Counter) (32-bits)	R	0	X	X
	2D	Port 6 MIB Counter 2 Register (TX Counter) (32-bits)	R	0	X	X
	2E	Port 7 MIB Counter 2 Register (TX Counter) (32-bits)	R	0	X	X
	2F	Port 8 MIB Counter 2 Register (TX Counter) (32-bits)	R	0	X	X
	30	Port 9 MIB Counter 2 Register (TX Counter) (32-bits)	R	0	X	X
	31	Port 10 MIB Counter 2 Register (TX Counter) (32-bits)	R	0	X	X
	32	Port 11 MIB Counter 2 Register (TX Counter) (32-bits)	R	0	X	X
	33	Port 12 MIB Counter 2 Register (TX Counter) (32-bits)	R	0	X	X
	34	Port 13 MIB Counter 2 Register (TX Counter) (32-bits)	R	0	X	X
	35	Port 14 MIB Counter 2 Register (TX Counter) (32-bits)	R	0	X	X
	36	Port 15 MIB Counter 2 Register (TX Counter) (32-bits)	R	0	X	X
	37	Reserved				
	38	Reserved				
	39	Reserved				
	3A	Reserved				
	3B	Reserved				
	3C	Reserved				
	3D	Reserved				
	3E	Reserved				
	3F	Reserved				
	40	Reserved				

10.8.3. Port MIB Counter 3 Register (Diagnostic Counter) (32-bits)

Table 36. Port MIB Counter 3 Register (Diagnostic Counter) (32-bits)

Register Base Address	Offset	Description	RW	Default	Pin	EE
0x0700	41	Port 0 MIB Counter 3 Register (Diagnostic Counter)(32-bits)	R	0	X	X
	42	Port 1 MIB Counter 3 Register (Diagnostic Counter)(32-bits)	R	0	X	X
	43	Port 2 MIB Counter 3 Register (Diagnostic Counter)(32-bits)	R	0	X	X
	44	Port 3 MIB Counter 3 Register (Diagnostic Counter)(32-bits)	R	0	X	X
	45	Port 4 MIB Counter 3 Register (Diagnostic Counter)(32-bits)	R	0	X	X
	46	Port 5 MIB Counter 3 Register (Diagnostic Counter)(32-bits)	R	0	X	X
	47	Port 6 MIB Counter 3 Register (Diagnostic Counter)(32-bits)	R	0	X	X
	48	Port 7 MIB Counter 3 Register (Diagnostic Counter)(32-bits)	R	0	X	X
	49	Port 8 MIB Counter 3 Register (Diagnostic Counter)(32-bits)	R	0	X	X
	4A	Port 9 MIB Counter 3 Register (Diagnostic Counter)(32-bits)	R	0	X	X
	4B	Port 10 MIB Counter 3 Register (Diagnostic Counter)(32-bits)	R	0	X	X
	4C	Port 11 MIB Counter 3 Register (Diagnostic Counter)(32-bits)	R	0	X	X
	4D	Port 12 MIB Counter 3 Register (Diagnostic Counter)(32-bits)	R	0	X	X
	4E	Port 13 MIB Counter 3 Register (Diagnostic Counter)(32-bits)	R	0	X	X
	4F	Port 14 MIB Counter 3 Register (Diagnostic Counter)(32-bits)	R	0	X	X
	50	Port 15 MIB Counter 3 Register (Diagnostic Counter)(32-bits)	R	0	X	X
	51	Reserved				
	52	Reserved				
	53	Reserved				
	54	Reserved				
	55	Reserved				
	56	Reserved				
	57	Reserved				
	58	Reserved				
	59	Reserved				
	5A	Reserved				

10.9. System Parameter Register (Reserved)

Table 37. System Parameter Register (Reserved)

Register Base Address	Offset	Description	RW	Default	Pin	EE
0xFFFF	--	System Parameter Register (Reserved).	RW	0	V	V

11. Internal Register Settings

Register Symbols:

R: Read

LL: Latch Low until cleared

W: Write

LH: Latch High until cleared

RW: Read/Write

SC: Self Clearing

(W: EEPROM. Permit writing by EEPROM)

RC: Read to Clear

11.1. System Configuration Register

11.1.1. 0x0000H: System Reset Control Register

Table 38. 0x0000H: System Reset Control Register

Bits	Name	Description	RW	Default
0	SRST	Soft Reset. A soft reset will reset the system similar to a power on reset except that the user configuration will not be cleared: 1. The MAC table and VLAN table data are kept. 2. All current user configured internal register values are kept. 3. The EEPROM download is not done again. 4. The system restarts the auto-negotiation process. 0: Normal (Default) 1: Soft reset	W/SC	0
1	HRST	Hardware Reset. Resets the system to the power on initial state: 1. Downloads configuration from strap pin and EEPROM. 2. Starts internal Memory self test. 3. Clears all the MAC, VLAN tables. 4. Resets all registers to default values. 5. Restarts auto-negotiation. 0: Normal (Default) 1: Hardware reset	W/SC	0
15:2	Reserved			

11.1.2. 0x0001H: Switch Parameter Register

Note: The Write operation is reserved for IC testing mode. Do NOT write this register.

Table 39. 0x0001H: Switch Parameter Register

Bits	Name	Description	RW	Default
1:0	MaxPktLen[1:0]	System Valid Max Packet Length. The minimum packet length is 64 bytes. The maximum packet length is controlled by MaxPktLen[1:0]: 00: 1536 bytes (Default) 01: 1552 byte 1x: Reserved.	RW	00 HW pin MaxPktLen
2	TXIPG_Comp	Transmit IPG Compensation. Used to compensate the oscillator frequency or incoming packet Inter-Packet Gap (IPG) tolerance. 0: Give +65 ppm TXIPG compensation (Default) 1: Give +90 ppm TXIPG compensation	RW	0
3	MaxPauseCnt	Max Pause Count for Congestion Control. 0: Supports a maximum of 128 Pause frames during congestion control (Default) 1: Continue Pause mode. Do not limit the Pause frame count during congestion control.	RW	0 HW pin MaxPauseCnt
4	DisBKP48One (EnBKP48One)	Disable Back pressure 48 Pass One Algorithm. When the 48One algorithm is enabled, the switch will pass one incoming packet after every 48 collisions. 0: Enable 48 Pass One algorithm (Default) 1: Disable 48 Pass One algorithm	RW	0 HW pin EnBKP48One
6:5	Reserved	Internal test bit.		
7	DisCRSBKPMode (EnCOLBKPMode)	Disable Carrier Based Back Pressure Mode. Half duplex back pressure algorithm selection. 0: Select Collision-based back pressure mode 1: Select Carrier-based back pressure mode (Default)	RW	1 HW pin EnCOLBKPMode
15:8	Reserved	Internal test bit.		

11.1.3. 0x0002H: EEPROM Check ID

Table 40. 0x0002H: EEPROM Check ID

Bits	Name	Description	RW	Default
5:0	Reserved (EEPROM Check ID)	Reserved bits. Used for EEPROM existence checking. Keep the value at 000000.		
15:6	Reserved	Internal test bit.		

11.1.4. 0x0004H: General Purpose User Defined I/O Data Register

Table 41. 0x0004H: General Purpose User Defined I/O Data Register

Bits	Name	Description	RW	Default
1:0	LED MODE	00: Scan Led 01: Single-color serial (default) 10: Bi-color serial 11: Reserved	RW	01 HW pin P9TXD P8TXD
15:2	Reserved			

11.1.5. 0x0005H: LED Display Configuration

Table 42. 0x0005H: LED Display Configuration

Bits	Name	Description	RW	Default
2:0	StatLED0_mode[2:0]	Mode Selection for State LED0. This state LED mode selection register controls the status type of the State LED0. The Status type is defined as follows: 000: Link/Act (Default) 001: 100Spd 010: Duplex/Col 011: Link/Act/100Spd 100: Duplex 101: Act 110: Link 111: Col	RW	000
5:3	StatLED1_mode[2:0]	Mode Selection for State LED1. 000: Link/Act 001: 100Spd (Default) 010: Duplex/Col 011: Link/Act/100Spd 100: Duplex 101: Act 110: Link 111: Col	RW	001
8:6	StatLED2_mode[2:0]	Mode Selection for State LED2. 000: Link/Act 001: 100Spd 010: Duplex/Col (Default) 011: Link/Act/100Spd 100: Duplex 101: Act 110: Link 111: Col	RW	010

Bits	Name	Description	RW	Default
12:9	EnLED[3:0]	State LED 0, 1, 2 and Diagnostic LED Enable/Disable Control. EnLED[3:0] controls enabling/disabling of DiagLED, StatLED2, StatLED1, StatLED0. 0: Disable 1: Enable If an LED is disabled, the corresponding serial clock will be masked.	RW	0111
14:13	Diagnostic mode		RW	00
15	Reserved			

11.2. System Status Register

11.2.1. 0x0100H: Board Trapping Status Register

Table 43. 0x0100H: Board Trapping Status Register

Bits	Name	Description	RW	Default
0	EEPROM_detect_status	EEPROM Existence Status. 0: Exists (Default) 1: Does not Exist	R	0
15:2	Reserved			

11.2.2. 0x0101H: Loop Detect Status Register (32-Bit Register)

Table 44. 0x0101H: Loop Detect Status Register (32-Bit Register)

Bits	Name	Description	RW	Default
23:0	LoopDetPort[23:0]	Network Loop event Detect Port Status. If the loop detect function is enabled, the corresponding bit of LoopDetPort[23:0] will be set whenever a loop event is detected on the corresponding switch port. The set bit is cleared only when the loop event has disappeared on that port. When the loop detect function is enabled, the switch will periodically transmit one loop detect diagnostic frame. The normal interval time is approx. five minutes. When a loop event is detected, the interval time will be changed to fast mode. In fast mode the interval time is about 1 second in order to accelerate detection and diagnostic. The loop event will be reported in this Loop Detect Status Register. 0: No Loop detected on this port (Default) 1: Loop detected on this port	R	0
31:24	Reserved			

11.2.3. 0x0102H: System Fault Indication Register

Table 45. 0x0102H: System Fault Indication Register

Bits	Name	Description	RW	Default
0	Reserved			
1	TrunkFault	Trunk Fault event flag. The flag indicates that there is a trunk port member link down. The trunk will still continue to operate due to the trunk auto fault recovery algorithm. 0: No trunk fault detected (Default) 1: Trunk fault detected	R	0
2	LoopFault	Network Loop Fault Indication. When the Loop Fault indication is set, a loop detected port will be reported on the Loop Detect Port Register. 0: Network Loop not detected (Default) 1: Network Loop detected	R	0
5:3	Reserved			
11:6	FaultTkGroup[3:0]	The Fault Trunk Group Indicator. Indicates a Link Fault in the trunk group. A physical link failure of an enabled trunk group will cause the corresponding bit to be set in the FaultTkGroup[5:0]. This is a real time fault status report. Even though the Trunk Group's fault occurred and the fault bit is set, the corresponding trunk can still work properly as fault recovery will be auto applied. FaultTkGroup[0] indicator for Trunk 1: (port 0, 1, 2, 3) FaultTkGroup[1] indicator for Trunk 2: (port 4, 5, 6, 7) FaultTkGroup[2] indicator for Trunk 3: (port 8, 9, 10, 11) FaultTkGroup[3] indicator for Trunk 4: (port 12, 13, 14, 15) 0: Trunk OK 1: Trunk Fault detected	R	000000
15:12	Reserved			

11.3. Management Configuration Register

11.3.1. 0x0200H: Realtek Protocol Control Register

Table 46. 0x0200H: Realtek Protocol Control Register

Bits	Name	Description	RW	Default
0	Reserved		RW	1
1	DisREcho	Disable Realtek Remote Echo Protocol. 0: Enable REcho protocol (Default) 1: Disable REcho protocol	RW	0
2	EnLoopDet	Enable Loop Detect Function. When enabled, the loop detect status will be reported in register 0x0101 (Loop Detect Status Register). 0: Disable(Default) 1: Enable	RW	0
15:3	Reserved			

11.3.2. 0x0203H: Switch MAC ID Register 0

Table 47. 0x0203H: Switch MAC ID Register 0

Bits	Name	Description	RW	Default
15:0	MACID[15:0]	Switch Physical MAC Address bit[15:0]. E.g., For the 48-bit MAC address '52-54-4C-01-02-03', then MACID[15:0]=54-52.	R (W: EEPROM)	0

11.3.3. 0x0204H: Switch MAC ID Register 1

Table 48. 0x0204H: Switch MAC ID Register 1

Bits	Name	Description	RW	Default
15:0	MACID[31:16]	Switch Physical MAC Address bit[31:16] E.g., For the 48-bit MAC address '52-54-4C-01-02-03', then MACID[15:0]=54-52.	R (W: EEPROM)	0

11.3.4. 0x0205H: Switch MAC ID Register 2

Table 49. 0x0205H: Switch MAC ID Register 2

Bits	Name	Description	RW	Default
15:0	MACID[47:32]	Switch Physical MAC Address bit[47:32]. E.g., For the 48-bit MAC address '52-54-4C-01-02-03', then MACID[15:0]=54-52.	R (W: EEPROM)	0

11.3.5. 0x0206H: Chip Model ID

Table 50. 0x0206H: Chip Model ID

Bits	Name	Description	RW	Default
7:0	ChipID[7:0]	Chip ID. Identifies the chip version for programmer version control.	R (W: EEPROM)	0
15:8	Reserved			

11.4. 0x0207H: System Vender ID Register 0

Table 51. 0x0207H: System Vender ID Register 0

Bits	Name	Description	RW	Default
15:0	VenderID[15:0]	System Vender Identity Stream [15:0]. Used for the system vender to fill a code or name stream for switch device model number or vender name identification.	R (W: EEPROM)	0

11.5. 0x0208H: System Vender ID Register 1

Table 52. 0x0208H: System Vender ID Register 1

Bits	Name	Description	RW	Default
15:0	VenderID[31:16]	System Vender Identity Stream [31:16]. Used for system vender to fill a code or name stream for switch device model number or vender name identification.	R (W: EEPROM)	0

11.6. 0x020AH: Port 0, 1 Bandwidth Control Register

Table 53. 0x020AH: Port 0, 1 Bandwidth Control Register

Bits	Name	Description	RW	Default
3:0	PORXRate[3:0]	Port 0 RX Bandwidth Control. Configures the maximum output bandwidth of the port. Bit 3 is a reserved bit. Bit[2:0] controls the maximum RX rate of the port. 000: Disables rate control (Default) 001: 128Kbps 010: 256Kbps 011: 512Kbps 100: 1Mbps 101: 2Mbps 110: 4Mbps 111: 8Mbps	RW	0000

Bits	Name	Description	RW	Default
7:4	P0TXRate[3:0]	Port 0 TX Bandwidth Control. Configures the maximum input bandwidth of the port. Bit 3 is a reserved bit. Bit[2:0] controls the maximum TX rate of the port. 000: Disables rate control (Default) 001: 128Kbps 010: 256Kbps 011: 512Kbps 100: 1Mbps 101: 2Mbps 110: 4Mbps 111: 8Mbps	RW	0000
11:8	P1RXRate[3:0]	Port 1 RX Bandwidth Control. Configures the maximum output bandwidth of the port. Bit 3 is a reserved bit. Bit[2:0] controls the maximum RX rate of the port. 000: Disables rate control (Default) 001: 128Kbps 010: 256Kbps 011: 512Kbps 100: 1Mbps 101: 2Mbps 110: 4Mbps 111: 8Mbps	RW	0000
15:12	P1TXRate[3:0]	Port 1 TX Bandwidth Control. Configures the maximum input bandwidth of the port. Bit 3 is a reserved bit. Bit[2:0] controls the maximum TX rate of the port. 000: Disables rate control (Default) 001: 128Kbps 010: 256Kbps 011: 512Kbps 100: 1Mbps 101: 2Mbps 110: 4Mbps 111: 8Mbps	RW	0000

11.6.1. 0x020BH~0x0211H: Port 2~15 Bandwidth Control Register

Refer to Table 53, for Configuration description of n: 1 ~ 7.

Table 54. 0x020BH~0x0215H: Port 2~15 Bandwidth Control Register

Bits	Name	Description	RW	Default
3:0	P2nRXRate[3:0]	Port 2n RX Bandwidth Control	RW	0000
7:4	P2nTXRate[3:0]	Port 2n TX Bandwidth Control	RW	0000
11:8	P2n+1RXRate[3:0]	Port 2n+1 RX Bandwidth Control.	RW	0000
15:12	P2n+1TXRate[3:0]	Port 2n+1 TX Bandwidth Control.	RW	0000

11.7. 0x0217H~0x0218: EEPROM RW Control Register

11.7.1. 0x0217H: EEPROM RW Command Register

Table 55. 0x0217H: EEPROM RW Command Register

Bits	Name	Description	RW	Default
7:0	EEPROM address	Assigns EEPROM address bits.	RW	0
10:8	CHIP_SEL[2:0]	Assigns chip selection bits.	RW	0
11	Read/Write Operation	0: Write Operation 1: Read Operation	RW	0
12	Status	0: Idle 1: Busy	RW	0
13	Operation Success status	0: Operation Succeeded 1: Operation Failed (Read Clear)	RW	0
15:14	Reserved			

11.7.2. 0x0218H: EEPROM RW Data Register

Table 56. 0x0218H: EEPROM RW Data Register

Bits	Name	Description	RW	Default
7:0	WdataEE[7:0]	Data to be written to EEPROM.	RW	0
15:8	RdataEE[15:8]	Data Read from EEPROM.	R	0

11.8. 0x0219H~0x021EH: Port Mirror Control Register

11.8.1. 0x0219H: Port Mirror Control Register 0 for P15-P0

Table 57. Port Mirror Control Register for P15-P0

Bits	Name	Description	RW	Default
15:0	EnPortMirror(0)[15:0]	Enables the port based mirror function. Bit n corresponds to port n. Write '1' to enable a port's mirror function.	RW	0

11.8.2. 0x021BH: RX Mirror Port Register 0 for P15-P0

Table 58. RX Mirror Port Register 0 for P15-P0

Bits	Name	Description	RW	Default
15:0	Mirror_RX(0)[15:0]	Bit n corresponds to port n. Write '1' to duplicate port n RX data to mirrored port.	RW	0

11.8.3. 0x021DH: TX Mirror Port Register 0 for P15-P0

Table 59. TX Mirror Port Register 0 for P15-P0

Bits	Name	Description	RW	Default
15:0	Mirror_TX(0)[15:0]	Bit n corresponds to port n. Write '1' to duplicate port n TX data to mirrored port.	RW	0

11.9. Address Lookup Table (ALT) Control Register

11.9.1. 0x0300H: ALT Configuration Register

Table 60. 0x0300H: ALT Configuration Register

Bits	Name	Description	RW	Default
0	DisMacAging	Global Disable Mac Table Aging Function. 0: Enable Aging function (Default) 1: Disable Aging function	RW	0
1	EnFastAgeTime	Enable Fast Aging Time Mode. 0: Disable Fast Aging time; Aging set to 300 seconds (Default) 1: Enable Fast Aging time; Aging set to 12 seconds	RW	0
2	EnCtrlFFilter	Global Enable 802.1D Specified Reserved Control Frame Filtering. When network control packets are received with a destination MAC address as the group MAC address: (01-80-C2-00-00-04 ~ 01-80-C2-00-00-0F), the switch will drop the packets if the bit EnCtrlFilter=1. Otherwise (EnCtrlFilter=0) they will be flooded. 1: Enable Filtering (Default) 0: Disable Filtering	RW	1 HW pin. EnCtrlFFilter
3	EnDropUknDA	Internal test bit.	RW	0
15:4	Reserved			

11.9.2. 0x0301H: Address Learning Control Register 0

Table 61. 0x0301H: Address Learning Control Register 0

Bits	Name	Description	RW	Default
15:0	DisMacLearn[15:0]	Per-Port Disable Mac Address Learning Function (Ports 0~15). DisMacLearn[15:0] control port[15:0]. The Layer 2 MAC address learning function can be per-port disabled for security management purposes. Generally this register is used with the ALT Configuration Register (0x0300) bits 'DisMacAging'. 0: Enable learning (Default) 1: Disable learning	RW	0

11.9.3. 0x0307H: Port Trunking Configuration Register

Table 62. 0x0307H: Port Trunking Configuration Register

Bits	Name	Description	RW	Default
0	Reserved			
4:1	EnTrunk[3:0]	Trunk Group Enable/Disable Control. Enables trunk groups. EnTrunk[0] control for Trunk 1: (port 0, 1, 2, 3). EnTrunk[1] control for Trunk 2: (port 4, 5, 6, 7). EnTrunk[2] control for Trunk 3: (port 8, 9, 10, 11). EnTrunk[3] control for Trunk 4: (port 12, 13, 14, 15). 0: Disable Trunking (Default) 1: Enable Trunking	RW	0x00
15:7	Reserved			

11.9.4. 0x0308H: IGMP Snooping Control Register

Table 63. 0x0308H: IGMP Snooping Control Register

Bits	Name	Description	RW	Default
0	EnIGMPsnooping	Enable IGMP Snooping. The switch controller features an ASIC-based auto IGMP v1 snooping function. No software support is required. When enabled, the switch can automatically snoop IGMP packets and build up an IP multicast address table. The discovered IP multicast Router port will be indicated in the 'IP Multicast Router Port Discovery Register'. 0: Disable IGMP snooping (Default) 1: Enable IGMP snooping	RW	0
15:1	Reserved			

11.9.5. 0x0309H: IP Multicast Router Port Discovery Register (32 bits)

Table 64. 0x0309H: IP Multicast Router Port Discovery Register (32 bits)

Bits	Name	Description	RW	Default
23:0	IPMRouterDISC[23:0]	IP Multicast Router Ports Discovery Result. This is a bit map that indicates which port is an IP Multicast Router port. IPMRouterDISC[23:0] maps to port 15 ~ 0 0: Normal port (Default) 1: IP multicast Router port	R	0
31:24	Reserved			

11.9.6. 0x030BH: VLAN Control Register

Table 65. 0x030BH: VLAN Control Register

Bits	Name	Description	RW	Default
0	EnHomeVlan	<p>Enable VLAN Function.</p> <p>When the VLAN function is enabled, the power on default VLAN topology is 16 Home VLANs for non-EEPROM environments. The VLAN topology can be configured by the Port VLAN Configuration Register.</p> <p>0: Disable VLAN (Default) 1: Enable VLAN</p>	RW	0 HW pin. EnHomeVLAN
1	EnUCleaky	<p>Unicast Packet Inter-VLAN Leaky Control.</p> <p>Enables inter-VLAN communication for unicast forwarding packets.</p> <p>Normally, inter-VLAN packet switching is not valid. The RTL8316B supports a control bit to enable inter-VLAN communication in the switch without an external router.</p> <p>0: Disable (Default) 1: Enable</p>	RW	0
2	EnARPlucky	<p>ARP broadcast Packet Inter-VLAN Leaky Control.</p> <p>Enables inter-VLAN communication for ARP broadcast packet forwarding.</p> <p>0: Disable (Default) 1: Enable</p>	RW	0
3	EnIPMleaky	<p>IP Multicast Packet Inter-VLAN Leaky Control.</p> <p>Enables inter-VLAN communication for IP multicast packet forwarding.</p> <p>0: Disable (Default) 1: Enable</p>	RW	0
4	En8021Qaware	<p>Enable 802.1Q VLAN tag aware.</p> <p>If 802.1Q VLAN aware, the switch supports the ability to identify the VLAN ID from the VLAN tag. Reset to force the switch to ignore the VLAN tag header and classify the VLAN only by the PVID.</p> <p>0: Disable 802.1Q VLAN aware (Default) 1: Enable 802.1Q VLAN aware</p>	RW	0
5	EnIR_TagAdmit	<p>Ingress Rule for Acceptable frame types control.</p> <p>If this parameter is set to 'Admit only VLAN-Tagged Frames', any frames received on that port that carry no VID (i.e., Untagged Frames or Priority-Tagged Frames) are discarded.</p> <p>If this parameter is set to 'Admit all Frames', all incoming Priority-Tagged and Untagged Frames are associated with a VLAN by the ingress rule on the receiving port.</p> <p>0: Admit all Frames (Default) 1: Admit only VLAN-Tagged Frames</p>	RW	0

Bits	Name	Description	RW	Default
6	EnIR_MembSet	Ingress Rule for Ingress Filtering control. If the Enable Ingress Filtering parameter 'EnIR_MembSet' is set, then all frames received on a port whose VLAN classification does not include that port in its member set shall be discarded. 0: Disable ingress member set Filtering (Default) 1: Enable ingress member set filtering	RW	0
15:7	Reserved			

11.9.7. 0x030C~0x0313H: Port VLAN ID Assignment Index Register 0~7

For Port(2n), and Port(2n+1) the register is defined as follows: where n=0, 1, 2, ... 6, 7 (Addr: 0x030CH + n).

Table 66. 0x030C~0x0317H: Port VLAN ID Assignment Index Register 0~7

Bits	Name	Description	RW	Default
7:0	P(2n)_VIDIndex[7:0]	Port(2n) VID assignment Index. Bit[4:0]: Port VID assignment index. Use the index value as the offset to map to the VLAN configuration table to get a 12-bit Port VLAN ID. Bit[7:5]: Reserved	RW	n
15:8	P(2n+1)_VIDIndex[7:0]	Port(2n+1) VID assignment Index. Bit[4:0]: Port VID assignment index. Use the index value as the offset to map to the VLAN configuration table to get a 12-bit Port VLAN ID. Bit[7:5]: Reserved	RW	2n+1

11.9.8. 0x0319~0x031AH: VLAN Output Port Priority-Tagging Control Register 0, 1

For Port(8n), Port(8n+1), ~ Port(8n+7) the register is defined as follows: n=0, 1

Table 67. 0x0319~0x031AH: VLAN Output Port Priority-Tagging Control Register 0, 1

Bits	Name	Description	RW	Default
1:0	P(8n)_PriTagCtl[1:0]	Port(8n) VLAN Output priority Tag/Untag Control. 00: Remove the VLAN tag from a tagged frame 01: Insert priority tag into an untagged high-priority frame (set priority field: 7, VID field: 0 for high priority frame) 10: Insert priority tag into all untagged frames. (set priority field: 7, VID field: 0 for high priority frame; set priority field: 0, VID field: 0 for low priority frame) 11: Don't touch (Don't modify the packet) (Default)	RW	11
3:2	P(8n+1)_PriTagCtl[1:0]	Port(8n+1) VLAN Output priority Tag/Untag Control.	RW	11
5:4	P(8n+2)_PriTagCtl[1:0]	Port(8n+2) VLAN Output priority Tag/Untag Control.	RW	11
7:6	P(8n+3)_PriTagCtl[1:0]	Port(8n+3) VLAN Output priority Tag/Untag Control.	RW	11
9:8	P(8n+4)_PriTagCtl[1:0]	Port(8n+4) VLAN Output priority Tag/Untag Control.	RW	11
11:10	P(8n+5)_PriTagCtl[1:0]	Port(8n+5) VLAN Output priority Tag/Untag Control.	RW	11
13:12	P(8n+6)_PriTagCtl[1:0]	Port(8n+6) VLAN Output priority Tag/Untag Control.	RW	11
15:14	P(8n+7)_PriTagCtl[1:0]	Port(8n+7) VLAN Output priority Tag/Untag Control.	RW	11

11.10. *0x031D~0x037CH: VLAN Table Configuration Register*

Each VLAN configuration entry requires three 16-bit registers. There are 32 VLAN configuration entries in the VLAN table. The VLAN configuration entry is combined with three registers: VLAN_Entry_Configuration_0, 1, 2. For VLAN m, its format is defined as follows: m=0, 1, 2, 31.

11.10.1. Register VLAN(m)_Entry_Configuration_0 (Addr: (0x031DH+3m))

Table 68. Register VLAN(m)_Entry_Configuration_0 (Addr: (0x031DH+3m))

Bits	Name	Description	RW	Default
15:0	VLAN(m)_PM[15:0]	VLAN (entry m) Port Member, 24-bit map (bit 0~15). Bit value 0: Port is not a member of the VLAN Bit value 1: Port is a member of the VLAN	RW	-

11.10.2. Register VLAN(m)_Entry_Configuration_2 (Addr: (0x031DH+3m+2))

Table 69. Register VLAN(m)_Entry_Configuration_2 (Addr: (0x031DH+3m+2))

Bits	Name	Description	RW	Default
11:0	VLAN(m)_VID[11:0]	VLAN(m) VID[11:0] bit 11~0. Each VLAN must be assigned a 12-bit VID.	RW	0
15:12	Reserved			

11.11. *0x037D: Insert Per-Port VID (PVID) Enabling Register*

11.11.1. 0x037D: Insert Per-Port VID (PVID) Enabling Register 0 (P15~P0)

Table 70. Insert Per-Port VID (PVID) Enabling Register 0

Bits	Name	Description	RW	Default
15:0	InsPVID_0[15:0]	To enable per-port insert PVID function (P15-P0). 0: Disable (default) 1: Enable	RW	0

11.12. QoS Configuration Register

11.12.1. 0x0400H: QoS Control Register

Table 71. 0x0400H: QoS Control Register

Bits	Name	Description	RW	Default
0	EnDSPri	<p>Enable TCP/IP TOS/DS (DiffServ) based Priority QoS.</p> <p>0: Disabled (Default)</p> <p>1: Enabled</p> <p>When enabled, the priority definition is defined as follows:</p> <p>High Priority: If TOS/DS[0:5]:</p> <p style="padding-left: 40px;">(EF) ‘101110’;</p> <p style="padding-left: 40px;">(AF) ‘001010’, ‘010010’,</p> <p style="padding-left: 80px;">‘011010’, ‘100010’;</p> <p style="padding-left: 40px;">(Network Control) ‘11x000’</p> <p>Low Priority: TOS/DS = Other codepoint values</p> <p><i>Note 1: The DS[0:5] bit location is equal to the mapping of TOS[0:5] = {precedence[2:0], Delay, Throughput, Reliability}.</i></p> <p><i>Note 2: DS=Differentiated Services, EF= Expected Forwarding, AF= Assured Forwarding.</i></p>	RW	0
1	En8021pPri	<p>Enable 802.1p VLAN Tag Based Priority QoS Function.</p> <p>0: Disable (Default)</p> <p>1: Enable</p>	RW	0
2	EnFCAutoOff	<p>Enable Flow Control Ability Auto Turn Off for QoS.</p> <p>Enabled: Enables auto turn off of a port’s queue flow control ability for 1~2 seconds whenever the port receives a high priority frame. The flow control ability of this port is re-enabled when no high priority frames are received at this port during a 1~2 second period.</p> <p>Disabled: When EnFCAutoOff is disabled, the flow control ability of this port for any packet will be enabled as it was set.</p> <p>0: Disabled (Default)</p> <p>1: Enabled</p>	RW	0
4:3	QWEIGHT[1:0]	<p>Weighted round robin ratio setting of priority queue.</p> <p>The frame service rate of High-pri queue to Low-pri queue is:</p> <p>00: 4:1 (Default)</p> <p>01: 8:1</p> <p>10: 16:1</p> <p>11: High priority queue first always</p>	RW	00
15:5	Reserved			

11.12.2. 0x0401: Port Priority Configuration Register 0

Table 72. 0x0401: Port Priority Configuration Register 0

Bits	Name	Description	RW	Default
15:0	PortPriCfg[15:0]	Port-based Priority setting (Port0 ~ Port15). Sets the priority QoS based on the physical port. If a port is set as a high priority port, all packets received from that port will be treated as high priority packets. Bit value 1: Sets that port as a high priority port Bit value 0: Sets that port as a low priority port <i>Note: Ports 0~15 map to bits 0~15.</i>	RW	0

11.13. PHY Access Control Register

11.13.1. 0x0500H: PHY Access Control Register

Table 73. 0x0500H: PHY Access Control Register

Bits	Name	Description	RW	Default
4:0	REG_addr	PHY Register address setting for the PHY Access command.	RW	0
9:5	PHY_ID[4:0]	PHY ID (PHY address) setting for the PHY Access command. RTL8316B connected PHY ID is fixed as: Fast Ethernet Port0 ~ 15. PHY ID: 16,17, ..., 30, 31.	RW	0
13:10	Reserved			0
14	PHY_RW	PHY Access Command. 0: PHY Access Read command (Default) 1: PHY Access Write command	RW	0
15	PHYCmdExeSta	PHY Access Command Execution Status. 0: Idle (Default) 1: Busy	R	0

11.13.2. 0x0501H: PHY Access Write Data Register

Table 74. 0x0501H: PHY Access Write Data Register

Bits	Name	Description	RW	Default
15:0	PHY_WD[15:0]	PHY Access Write Out Data (16 bits).	RW	0

11.13.3. 0x0502H: PHY Access Read Data Register

Table 75. 0x0502H: PHY Access Read Data Register

Bits	Name	Description	RW	Default
15:0	PHY_RD[15:0]	PHY Access Read In Data (16 bits).	R	0

11.14. Port Control Register

11.14.1. 0x0607H: Global Port Control Register

Table 76. 0x0607H: Global Port Control Register

Bits	Name	Description	RW	Default
0	DisFDFC ($\overline{\text{EnFDFC}}$)	Disable Full Duplex Flow Control (802.3x PAUSE ability). This control bit will be applied to the switch only when a software reset is sent to the switch. This function can also be directly controlled by PHY register access through the PHY Access Control Register 0: Enable 802.3x Pause ability (Default) 1: Disable 802.3x Pause ability	RW	0 HW pin: EnFDFC
1	DisBKP ($\overline{\text{EnBKP}}$)	Globally Disable Half Duplex Back Pressure Flow Control Ability. Set to globally disable the back pressure flow control ability of all ports. 0: Enable back pressure flow control ability (Default) 1: Disable back pressure flow control ability	RW	0 HW pin. EnBKP
2	DisBCSFC	Disable Broadcast Packet Strict Flood Control. This control function is used under 802.3x flow control mode. Strict flood mode will drop broadcast packets (DA: FF-FF-FF-FF-FF-FF) if any destination port member is congested. Loose flood mode allows broadcast packets to be flooded to all non-congested ports. 0: Enable Broadcast Packet Strict Flood (Strict flood mode) (default) 1: Disable Broadcast Packet Strict Flood (Loose flood mode)	RW	0 HW pin. DisBCSFC
3	DisIPMCFC	Disable IP Multicast Packet Strict Flood Control. This control function is used under 802.3x flow control mode. Strict flood mode will drop IP Multicast packets (DA: 01-00-5E-XX-XX-XX) if any destination port member is congested. Loose flood mode allows IP multicast packets to be flooded to all non-congested ports. 0: Enable IP Multicast Packet Strict Flood (Strict flood mode) (default) 1: Disable IP Multicast Packet Strict Flood (Loose flood mode)	RW	0
4	DisBRDCTRL ($\overline{\text{EnBRDCTRL}}$)	Disable Broadcast Storm Filtering Control. Set to disable the broadcast storm filtering control function. 1: Disable Broadcast storm filtering control (Default) 0: Enable Broadcast storm filtering control	RW	1 HW pin: EnBRDCTRL
15:5	Reserved			

11.14.2. 0x0608H: Port Disable Control Register 0

Table 77. 0x0608H: Port Disable Control Register 0

Bits	Name	Description	RW	Default
15:0	PortDisable[15:0]	Port Enable/Disable Control for ports 0~15. Bit value 0: Port enable Bit value 1: Port disable When disabled, the port will disable packet transmission and reception except for Realtek Remote Control Packets. <i>Note: Ports 0~15 map to bits 0~15.</i>	RW	0

11.14.3. 0x060AH~0x0615. Port Property Configuration Registers 0 ~ 7

For Port(2n) and Port(2n+1) the Port Property is defined as follows: n = 0, 1, 2, ..., 7 (Addr: 0x060AH +n); where n=0~7 for Fast Ethernet ports.

Table 78. 0x060AH~0x0615. Port Property Configuration Register 0 ~ 7

Bits	Name	Description	RW	Default
7:0	P(2n)_Property[7:0]	Port(2n) Port Property configuration. Bit [3:0]: Media Capability[3:0]= (100F, 100H, 10F, 10H). Bit [5]: Pause ability (1: Enable). Bit [6]: AsyPause ability (Asynchronous Pause) (1. enable) Bit [7]: Enable Auto Negotiation (1: Enable).	RW	100M. 0xAF
15:8	P(2n+1)_Property[7:0]	Port(2n+1) Port property configuration. Bit [3:0]: Media Capability[3:0]= {100F, 100H, 10F, 10H}. Bit [5]: Pause ability (1: Enable). Bit [6]: AsyPause ability (Asynchronous Pause) (1: Enable). Bit [7]: Enable Auto Negotiation (1: Enable).	RW	100M. 0xAF

Note: A configuration update of these registers requires a software reset (via write Reg. 0x0000 bit 0 =1) to force the configuration to be written to the PHY register and restart the auto-negotiation process.

11.14.4. 0x0619H~0x0624. Port Link Status Register 0 ~ 7

For Port(2n) and Port(2n+1) the Port Properties are defined as follows:
(n: 0,1,2,.. ..., 7) (Addr: 0x0619H +n).

Table 79. 0x0619H~0x0625. Port Link Status Register 0 ~ 7

Bits	Name	Description	RW	Default
7:0	P(2n)_LinkStatus[7:0]	<p>Port (2n) Port Link Status.</p> <p>Bit [1:0]: Link speed[1:0]: 00: 10Mbps 01: 100Mbps 10: 1000Mbps 11: NA.</p> <p>Bit [2]: Full duplex: 0: Half duplex 1: Full duplex Bit[3]: Reserved.</p> <p>Bit [4]: Link up: 0: Link down 1: Link up</p> <p>Bit [5]: Flow control (back pressure or 802.3x): For ports 0~15 (Fast Ethernet ports). Defined as Pause ability. In half duplex mode. Defined as back pressure ability. 0: Flow control disabled 1: Flow control enabled</p> <p>Bit [6]: AsyPause ability (Asymmetric Pause): For ports 0~16 (Fast Ethernet ports) Don't Care.</p> <p>Bit [7]: Enable Auto Negotiation (AN): 0: Disable AN 1: Enable AN</p>	R	0

Bits	Name	Description	RW	Default
15:8	P(2n+1)_LinkStatus[7:0]	<p>Port(2n+1) Port Link Status.</p> <p>Bit [1:0]: Link speed[1:0]: 00: 10Mbps 01: 100Mbps 10: 1000Mbps 11: NA.</p> <p>Bit [2]: Full duplex: 0: Half duplex 1: Full duplex</p> <p>Bit[3]: Reserved.</p> <p>Bit [4]: Link up: 0: Link down 1: Link up</p> <p>Bit [5]: Flow Control (back pressure or 802.3x): For ports 0~15 (Fast Ethernet ports). Defined as Pause ability. In half duplex mode. Defined as back pressure ability. 0: Flow control disabled 1: Flow control enabled</p> <p>Bit [6]: AsyPause ability (Asymmetric Pause): For ports 0~15 (Fast Ethernet ports) Don't Care. In half duplex mode. Don't Care. 0: Flow control disabled 1: Flow control enabled</p> <p>Bit [7]: Enable Auto Negotiation (AN): 0: Disable AN 1: Enable AN</p>	R	0

12. MIB Counter Register

12.1. 0x0700H~0x0707H: Port MIB Counter Object Selection Register 0~7

For Port(2n), Port(2n+1), the Port MIB Counter Object Selection Register is defined as follows:
n = 0, 1, 2, ..., 7) (Addr=0x0700H +n).

Table 80. 0x0700H~0x0707H: Port MIB Counter Object Selection Register 0~7

Bits	Name	Description	RW	Default
1:0	P(2n)CNT1_MIBS [1:0]	Port(2n) Counter_1 MIB Object Selection. P(2n)CNT_1_MIBS [1:0] 00: MIB object: RX byte count 01: MIB object: RX packet count (Default) 10: MIB object: CRC error packet count 11: MIB object: Collision packet count RX byte count. This counter is incremented once for every data byte of a received and forwarded packet (includes both good and bad packets). RX packet count. This counter is incremented once for every received and forwarded packet (includes both good and bad packets).	RW	01
3:2	P(2n)CNT2_MIBS [1:0]	Port(2n) Counter_2 MIB Object Selection. P(2n)CNT_2_MIBS [1:0] 00: MIB object: TX byte count 01: MIB object: TX packet count (Default) 10: MIB object: CRC error packet count 11: MIB object: Collision packet count TX byte count. This counter is incremented once for every data byte of a transmitted packet (includes both good and bad packets). TX packet count. This counter is incremented once for every transmitted packet (includes both good and bad packets).	RW	01

Bits	Name	Description	RW	Default
5:4	P(2n)CNT3_MIBS [1:0]	Port(2n) Counter_3 MIB Object Selection P(2n)CNT_3_MIBS [1:0] 00: MIB object: Drop byte count 01: MIB object: Drop packet count (Default) 10: MIB object: CRC error packet count 11: MIB object: Collision packet count Drop packet count. This counter is incremented once for every drop of a received packet. Packet drop events could be due to undersize, oversize, CRC error, lack of resources, local packet, point-to-point control packet (ex. Pause packet, LACP packet). CRC error packet count. This counter is incremented once for every received packet with a valid length but with a CRC error. Collision packet counter. This counter is incremented once for every collision event detected.	RW	01
7:6	P(2n+1)CNT1_MIBS [1:0]	Port(2n+1) Counter_1 MIB Object Selection.	RW	01
9:8	P(2n+1)CNT2_MIBS [1:0]	Port(2n+1) Counter_2 MIB Object Selection.	RW	01
11:10	P(2n+1)CNT3_MIBS [1:0]	Port(2n+1) Counter_3 MIB Object Selection.	RW	01

12.2. 0x070DH ~071CH: Port MIB Counter 1 Register (RX Counter) (32 bits)

The MIB counters are 32-bit counters. After power on reset, the counters are all reset to 0. A read access of the MIB counter will NOT reset the counter to 0. When a MIB counter MIB object is changed, then the counter will be reset to 0 and the count will restart.

The time before the next read of the same counter should not be longer than the counter's timeout. The timeout of the 32-bit MIB counter depends on the object type and the port speed, and is calculated as follows:

Packet counter timeout is calculated based on 64-byte packets and byte counter timeout is calculated based on 1518 byte packets).

Table 81. MIB Counter Timeout

Port Speed	MIB Object Type	MIB Counter Timeout (Sec.)
100Mbps	Packet count	28862
	Byte count	348
10Mbps	Packet count	288621
	Byte count	3481

12.2.1. For Port(n) MIB Counter 1 Register (32-bit). n=0, 1, 2, ... 15 (Addr: 0x070DH+n)

Table 82. 0x070DH~071CH: Port MIB Counter 1 Register (RX Counter) (32 bits)

Bits	Name	Description	RW	Default
31:0	Port(n)_MIB_CNT_1[31:0]	Port(n) MIB Counter_1[31:0]	R	0

12.2.2. 0x0727~0736H: Port MIB Counter 2 Register (TX Counter) (32-bits)

For Port(n) MIB Counter 2 Register (32-bit): n = 0, 1, 2, ... 15 (Addr: 0x0727H+n).

Table 83. 0x0727~0736H: Port MIB Counter 2 Register (TX Counter) (32 bits)

Bits	Name	Description	RW	Default
31:0	Port(n)_MIB_CNT_2[31:0]	Port(n) MIB Counter_2[31:0]	R	0

12.2.3. 0x0741~0750H: Port MIB Counter 3 Register (Diagnostic Counter) (32-bits)

For Port(n) MIB Counter 3 Register (32-bit): n = 0, 1, 2, ... 15 (Addr: 0x0741H+n).

Table 84. 0x0741~0750H: Port MIB Counter 3 Register (Diagnostic Counter) (32 bits)

Bits	Name	Description	RW	Default
31:0	Port(n)_MIB_CNT_3[31:0]	Port(n) MIB Counter_3[31:0]	R	0

13. Characteristics

13.1. Absolute Maximum Ratings

WARNING: Absolute maximum ratings are limits beyond which permanent damage may be caused to the device or which may affect device reliability. All voltages are specified reference to GND unless otherwise specified.

Table 85. Absolute Maximum Ratings

Parameter	Min	Max	Units
Storage Temperature	-10	+125	°C
DVDD, RVDD, AVDD Supply Referenced to GND	GND-0.3	+3.63	V
VDD Supply Reference to GND	GND-0.3	+1.98	V
Digital Input Voltage	GND-0.3	DVDD+0.3	V

13.2. Operating Range

Table 86. Operating Range

Parameter	Min	Max	Units
Ambient Operating Temperature	0	70	°C
3.3V Vcc Supply Voltage Range (RVDD, DVDD)	3.15	3.45	V
1.8V Vcc Supply Voltage Range (VDD)	1.71	1.89	V

13.3. DC Characteristics

Supply Voltage VDD: 3.3V ± 5%.

Table 87. DC Characteristics

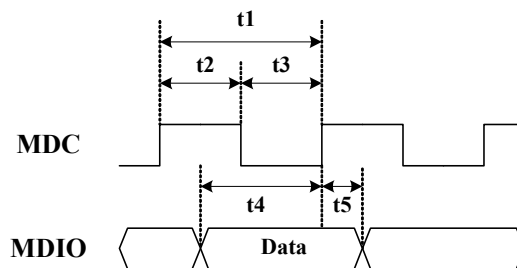
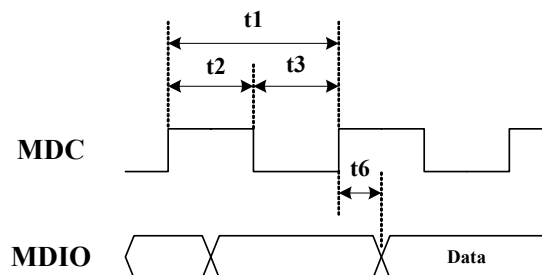
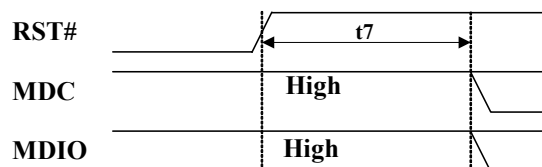
Parameter	Symbol	Conditions	Min	Typical	Max	Units
Power Supply Current	I _{cc}	16FE, wire-speed traffic load 16FE all idle			200 140	mA
Total Power Consumption	PS	16FE, wire-speed traffic load 16FE all idle			660 462	mW
TTL Input High Voltage	V _{ih}		2.0			V
TTL Input Low Voltage	V _{il}				0.8	V
TTL Input Current	I _{in}		-10		10	μA
TTL Input Capacitance	C _{in}			2.9		pF
Output High Voltage	V _{oh}		2.6		3.6	V
Output Low voltage	V _{ol}		0		0.4	V

13.4. AC Characteristics

13.4.1. PHY Management (SMI) Timing

Table 88. PHY Management (SMI) Timing

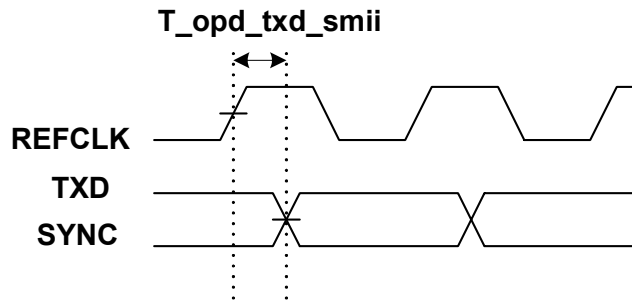
Symbol	Description	Minimum	Typical	Maximum	Units
t1	MDC clock period	-	1360	-	ns
t2	MDC high level width	-	680	-	ns
t3	MDC low level width	-	680	-	ns
t4	MDIO to MDC rising setup time (Write Bits)		680	-	ns
t5	MDIO to MDC rising hold time (Write Bits)		680	-	ns
t6	MDC to MDIO delay (Read Bits)	20	-	-	ns
t7	MDC/MDIO activates from RST# deasserted	-	45	-	ms


Figure 14. MDC/MDIO Write Timing

Figure 15. MDC/MDIO Read Timing

Figure 16. MDC/MDIO Reset Timing

13.4.2. SMII Transmit Timing

Table 89. PHY Management (SMI) Timing

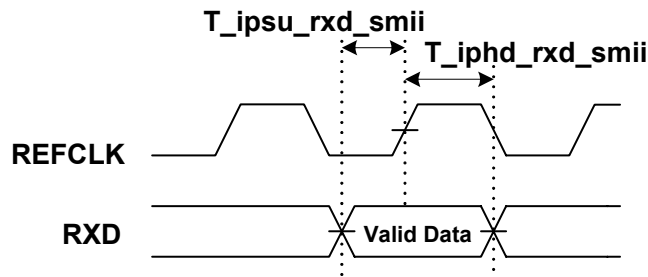
Symbol	Description	Minimum	Typical	Maximum	Units
T_opd_txd_smii	REFCLK rising edge to TXD (SYNC) delay.	2	4	5	ns


Figure 17. SMII Transmit Timing

13.4.3. SMII Receive Timing

Table 90. SMII Receive Timing

Symbol	Description	Minimum	Typical	Maximum	Units
T_ipsu_rxd_smii	RXD setup time to REFCLK.	2			ns
T_iphd_rxd_smii	RXD hold time from REFCLK.	1.5			ns


Figure 18. SMII Receive Timing

14. Thermal Data

Thermal Characteristics

Heat generated by the chip causes a temperature rise of the package. If the temperature of the chip (T_j , junction temperature) is beyond the design limits, there will be negative effects on operation and the life of the IC package. Heat dissipation, either through a heat sink or electrical fan, is necessary to provide a reasonable environment (T_a , ambient temperature) in a closed case. As power density increases, thermal management becomes more critical. A method to estimate the possible T_a is outlined below.

Thermal parameters are defined according to JEDEC standard JESD 51-2, 51-6:

θ_{JA} (Thermal resistance from junction to ambient), represents resistance to heat flow from the chip to ambient air. This is an index of heat dissipation capability. A lower θ_{JA} means better thermal performance.

$\theta_{JA} = (T_j - T_a) / P_h$, where T_j is the junction temperature

T_a is the ambient temperature

P_h is the power dissipation

θ_{JC} (Thermal resistance from junction to case), represents resistance to heat flow from the chip to the package top case. θ_{JC} is important when an external heat sink is attached on the package top.

$\theta_{JC} = (T_j - T_c) / P_h$, where T_j is the junction temperature.

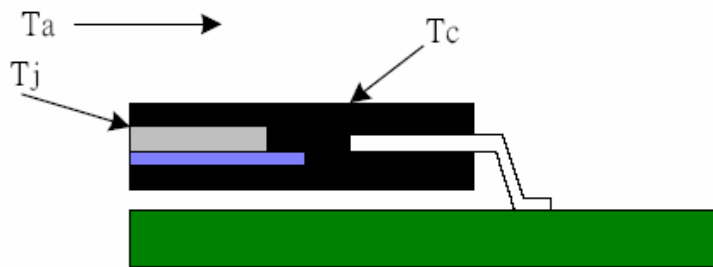


Figure 19. Cross-section of 128-Pin PQFP

Thermal Operating Range

Table 91. Thermal Operating Range

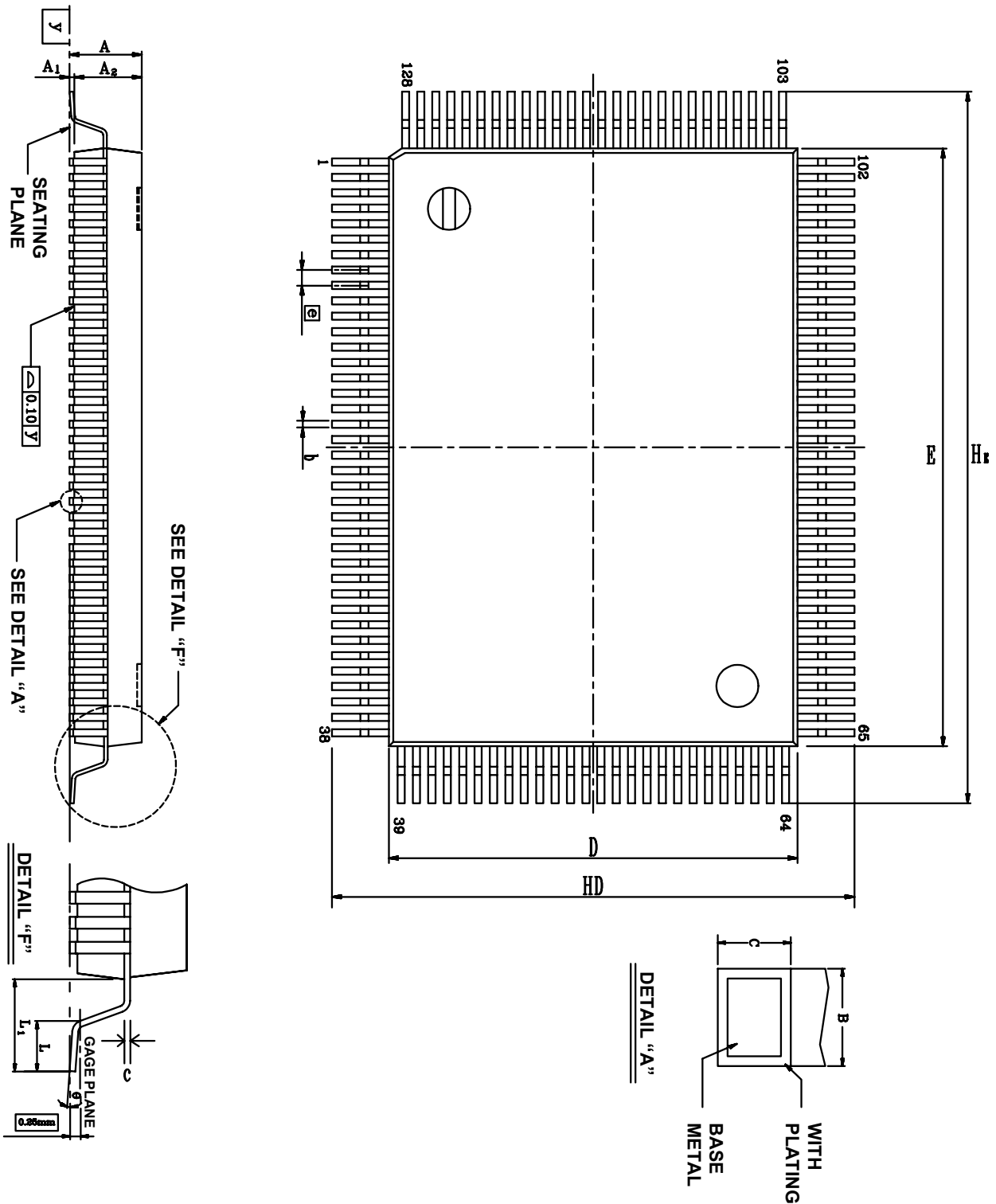
Parameter	SYM	Min	Typical	Max	Units
Junction operating Temperature	T _j		25	125	°C
Junction operating Temperature	T _a		25	70	°C

Thermal Resistance

Table 92. Thermal Resistance

Parameter	SYM	Conditions	Min	Typical	Max	Units
Thermal resistance: junction to ambient	θ_{JA}	2 layer PCB, 0 ft/s airflow		48.5		°C/W
Thermal resistance: junction to case	θ_{JC}	2 layer PCB, 0 ft/s airflow		16.4		°C/W

15. Mechanical Information



See the Mechanical Dimensions notes on the next page.

15.1. Mechanical Dimensions Notes

Symbol	Dimensions in inches			Dimensions in mm		
	Min	Typical	Max	Min	Typical	Max
A	-	-	0.134	-	-	3.40
A1	0.004	0.010	0.036	0.10	0.25	0.91
A2	0.102	0.112	0.122	2.60	2.85	3.10
b	0.005	0.009	0.013	0.12	0.22	0.32
c	0.002	0.006	0.010	0.05	0.15	0.25
D	0.541	0.551	0.561	13.75	14.00	14.25
E	0.778	0.787	0.797	19.75	20.00	20.25
e	0.010	0.020	0.030	0.25	0.5	0.75
HD	0.665	0.677	0.689	16.90	17.20	17.50
HE	0.902	0.913	0.925	22.90	23.20	23.50
L	0.027	0.035	0.043	0.68	0.88	1.08
L1	0.053	0.063	0.073	1.35	1.60	1.85
y	-	-	0.004	-	-	0.10
θ	0°	-	12°	0°	-	12°

Notes:

1. Dimensions D & E do not include interlead flash.
2. Dimension b does not include dambar protrusion/intrusion.
3. Controlling dimension: Millimeter
4. General appearance spec. Should be based on final visual inspection.

TITLE: -CU L/F, PQFP FOOTPRINT 3.2 mm			
LEADFRAME MATERIAL:			
APPROVE		DOC. NO.	
		VERSION	1.2
		PAGE	
CHECK		DWG NO.	Q128 - 1
		DATE	
REALTEK SEMICONDUCTOR CORP.			

16. Ordering Information

Table 93. Ordering Information

Part Number	Package	Status
RTL8316B	PQFP-128	Available Now
RTL8316B-LF	RTL8316B with Lead (Pb)-Free package	Available Now

Note: See page 5 for lead (Pb)-free package identification.

Realtek Semiconductor Corp.

Headquarters

No. 2, Innovation Road II

Hsinchu Science Park, Hsinchu 300, Taiwan

Tel.: +886-3-578-0211. Fax: +886-3-577-6047

www.realtek.com.tw